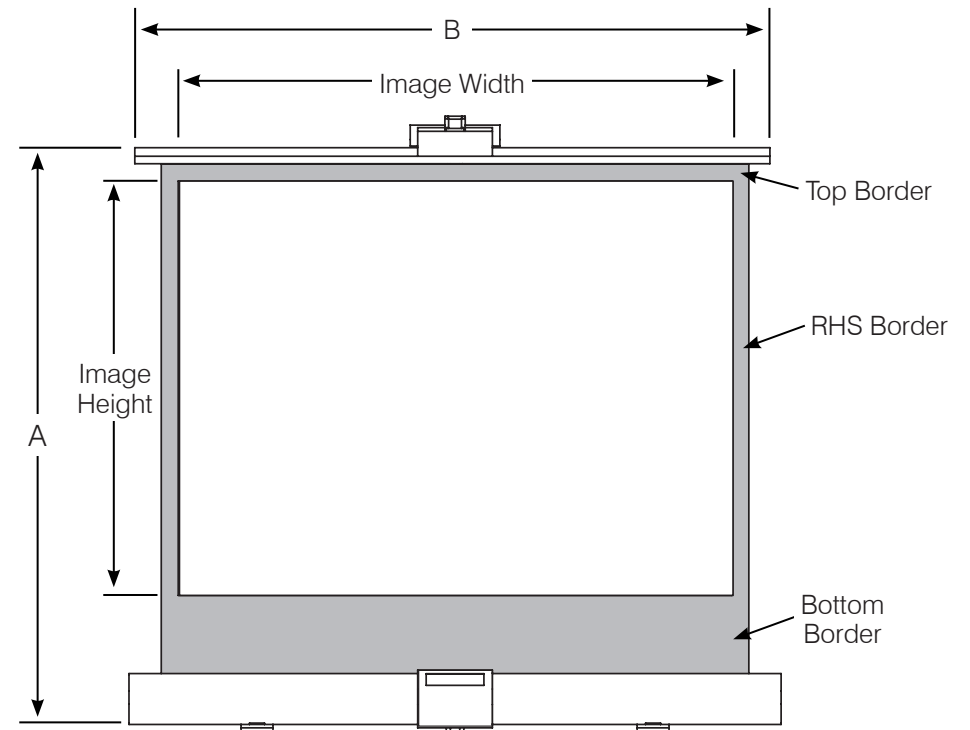
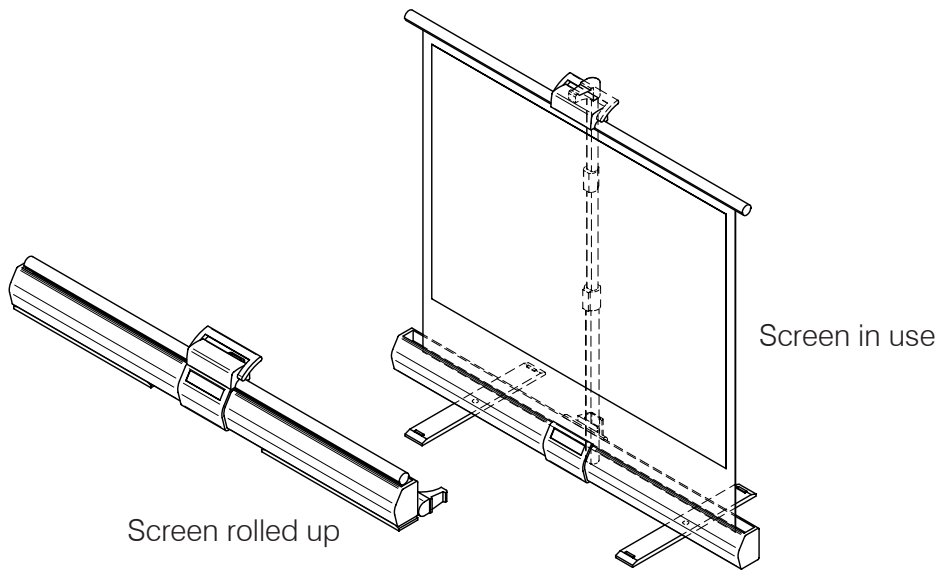


Specifications for GV Portable Pull Up Screen



Features

- Light weight, fully portable, ergonomically designed.
- Spring loaded screen self-retractable, lockable handle.
- Swivel leg, self-standing front projection display.

Product Code	Spec	Format	Image Size w x h (mm)	Total Width (B) (mm)	Total Height (A) (mm)	Top Border (mm)	L/R Border (mm)	Bottom Border (mm)	Shipping Size l x h x d (mm)	Net. Weight(kg)
GRUA060V	60"	4:3	1220 x 910	1380	1560	25	35	500	1480 x 150 x 180	4.5
GRUA080V	80"	4:3	1630 x 1220	1790	2060	25	35	500	1890 x 150 x 180	6.0
GRUA100V	100"	4:3	2030 x 1520	2195	2390	25	35	700	2290 x 150 x 180	7.0
GRUB060H	60"	16:9	1330 x 745	1490	1715	25	35	700	1590 x 150 x 180	4.5
GRUB080H	80"	16:9	1770 x 995	1915	2280	25	35	900	2120 x 150 x 180	6.0

GV is distributed by Herma Technologies, one of the largest screen manufacturers and wholesalers in Australia. For more information check out www.grandviewscreens.com.au or call 13003025.