



EB-L735U	EB-L630SU
EB-L730U	EB-L630U
EB-L720U	EB-L530U
EB-L635SU	EB-L520U

■ Product Overview

This projector comes with a variety of special features.

This manual explains the projector's technical specifications.

For details on how to use each feature, see the projector's "User's Guide".

EB-L735U/EB-L730U/EB-L720U/EB-L635SU/EB-L630SU

Product Specifications

Product name		EB-L735U EB-L730U	EB-L720U	EB-L635SU EB-L630SU
System		RGB liquid crystal shutter		
LCD panel	Size (diagonal)	0.67"		
	Resolution	2,304,000 pixels		
	Pixel number	(1,920 (W) × 1,200 (H) dots) × 3		
Projection lens	F value	1.5 - 1.7		1.7
	Zoom	Optics (1.0 - 1.6)		Digital (1.0 - 1.35)
	Focus	Manual		
Lens shift	System	Manual	-	Manual
	Range	Maximum vertical direction: Approx. ± 50% Maximum horizontal direction: Approx. ± 20%	-	Maximum vertical direction: Approx. ± 50% Maximum horizontal direction: Approx. ± 20%
Light source	Type	Laser diode		
	Output power (maximum)	115.5 W		
	Wavelength	449 to 461 nm		
	Life expectancy*1	Approx. 20,000 hours (Light Source Mode: Normal, Quiet) Approx. 30,000 hours (Light Source Mode: Extended)		
Brightness*2		7,000 lm (Light Source Mode: Normal) 4,900 lm (Light Source Mode: Quiet, Extended)		6,000 lm (Light Source Mode: Normal) 4,200 lm (Light Source Mode: Quiet, Extended)
Contrast ratio*2		Over 2,500,000:1 (Dynamic Contrast: Normal, High Speed)		
Color reproducibility		Maximum of 1,070 million colors		
Speaker		10 W (monaural)		
Scanning frequency	Analog	Horizontal: 15 - 92 kHz Vertical: 50 - 85 Hz		
	Digital	Horizontal: 15 - 135 kHz Vertical: 23.98/24/25/29.97/30/50/59.94/60 Hz		
Operating environment	Operating temperature*3	At an altitude of 0 to 2,286 m: 0 to +45°C (Humidity 20 to 80%, no condensation) At an altitude of 2,287 to 3,048 m: 0 to +40°C (Humidity 20 to 80%, no condensation)		
	Storage temperature	-10 to +60°C (Humidity 10 to 90%, no condensation)		
	Operating altitude	Altitude 0 to 3,048 m		
Power supply		100 - 240V AC ± 10% 50/60Hz 3.6 - 1.6 A		
Power consumption	Operating	100 to 120 V area	358 W (Light Source Mode: Normal, Custom) 267 W (Light Source Mode: Quiet, Extended)	
		220 to 240 V area	345 W (Light Source Mode: Normal, Custom) 258 W (Light Source Mode: Quiet, Extended)	
	Standing by	Communication On	2.0 W	
		Communication Off	0.3 W	
Dissipation BTU (maximum)	100 to 120 V area	1217.2 BTU/h		
Air flow (maximum)		95.0 CFM		

Product name		EB-L735U EB-L730U	EB-L720U	EB-L635SU EB-L630SU
Dimensions (W × H × D)		440 × 122 × 304 mm (not including raised section)		
		440 × 136 × 339 mm (including raised section)		440 × 136 × 334 mm (including raised section)
Mass	Projector	Approx. 8.4 kg	Approx. 7.8 kg	Approx. 8.4 kg
	Ceiling mount (ELPMB22)	Approx. 3.5 kg		
	Ceiling mount (Low profile) (ELPMB30)	Approx. 3.5 kg		
	Ceiling pipe 450 (450 mm) (ELPFP13)	2.1 kg		
	Ceiling pipe 700 (700 mm) (ELPFP14)	2.6 kg		
Noise level ^{*2}	Light Source Mode: Normal	38 dB	39 dB	38 dB
	Light Source Mode: Quiet	27 dB	27 dB	27 dB
Items supplied		Remote, 2 AA dry cell batteries (for remote control), power cord (approx. 3 m), cable cover ^{*4} , warranty card, User's Guide set		

- *1 Approximate time before the brightness of the light source is reduced by half.
(Assuming the projector is being used in an environment containing airborne particles of 0.04 to 0.2 mg/m³. This is an approximate guide only and may change depending on the projector's usage and surroundings.)
- *2 All average values for this product at time of shipping comply with the ISO 21118 international standards.
- *3 When the surrounding temperature rises, the brightness of the light source is automatically reduced.
(Approx. 40°C at an altitude of 0 to 2,286m and approx. 35°C at an altitude of 2,287 to 3,048 m although these will vary depending on the usage environment.)
- *4 Not included with the EB-L720U.

EB-L630U/EB-L530U/EB-L520U

Product Specifications

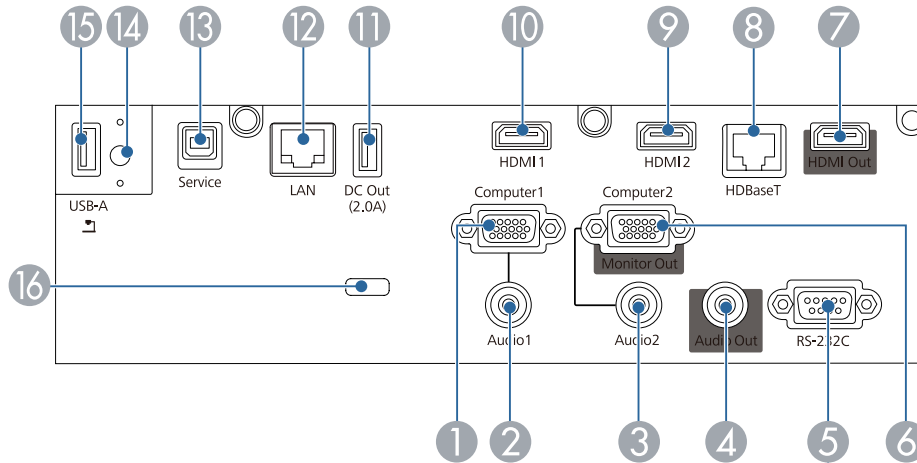
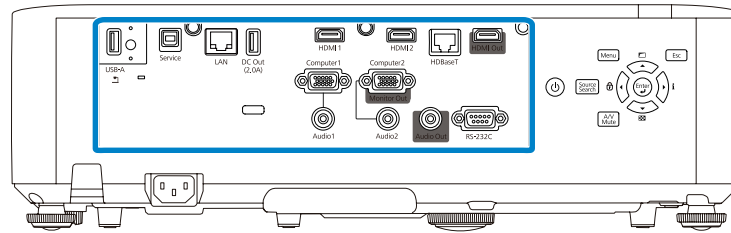
Product name		EB-L630U	EB-L530U	EB-L520U
System		RGB liquid crystal shutter		
LCD panel	Size (diagonal)	0.67"		
	Resolution	2,304,000 pixels		
	Pixel number	(1,920 (W) × 1,200 (H) dots) × 3		
Projection lens	F value	1.5 - 1.7		
	Zoom	Optics (1.0 - 1.6)		
	Focus	Manual		
Lens shift	System	Manual		-
	Range	Maximum vertical direction: Approx. ± 50% Maximum horizontal direction: Approx. ± 20%		-
Light source	Type	Laser diode		
	Output power (maximum)	115.5 W	44 W × 2	
	Wavelength	449 to 461 nm		
	Life expectancy ¹	Approx. 20,000 hours (Light Source Mode: Normal, Quiet) Approx. 30,000 hours (Light Source Mode: Extended)		
Brightness ²		6,200 lm (Light Source Mode: Normal) 4,340 lm (Light Source Mode: Quiet, Extended)	5,200 lm (Light Source Mode: Normal) 3,640 lm (Light Source Mode: Quiet, Extended)	
Contrast ratio ²		Over 2,500,000:1 (Dynamic Contrast: Normal, High Speed)		
Color reproducibility		Maximum of 1,070 million colors		
Speaker		10 W (monaural)		
Scanning frequency	Analog	Horizontal: 15 - 92 kHz Vertical: 50 - 85 Hz		
	Digital	Horizontal: 15 - 135 kHz Vertical: 23.98/24/25/29.97/30/50/59.94/60 Hz		
Operating environment	Operating temperature ³	At an altitude of 0 to 2,286 m: 0 to +45°C (Humidity 20 to 80%, no condensation) At an altitude of 2,287 to 3,048 m: 0 to +40°C (Humidity 20 to 80%, no condensation)		
	Storage temperature	-10 to +60°C (Humidity 10 to 90%, no condensation)		
	Operating altitude	Altitude 0 to 3,048 m		
Power supply		100 - 240V AC ± 10% 50/60Hz 3.8 - 1.7 A	100 - 240V AC ± 10% 50/60Hz 3.1 - 1.4 A	
Power consumption	Operating	100 to 120 V area	358 W (Light Source Mode: Normal, Custom) 267 W (Light Source Mode: Quiet, Extended)	301 W (Light Source Mode: Normal, Custom) 232 W (Light Source Mode: Quiet, Extended)
		220 to 240 V area	345 W (Light Source Mode: Normal, Custom) 258 W (Light Source Mode: Quiet, Extended)	293 W (Light Source Mode: Normal, Custom) 223 W (Light Source Mode: Quiet, Extended)
	Standing by	Communication On	2.0 W	
		Communication Off	0.3 W	
Dissipation BTU (maximum)	100 to 120 V area	1217.2 BTU/h	1023.4 BTU/h	
Air flow (maximum)		95.0 CFM		
Dimensions (W × H × D)		440 × 122 × 304 mm (not including raised section)		
		440 × 136 × 339 mm (including raised section)		

Product name		EB-L630U	EB-L530U	EB-L520U
Mass	Projector	Approx. 8.4 kg	Approx. 8.2 kg	Approx. 7.7 kg
	Ceiling mount (ELPMB22)	Approx. 3.5 kg		
	Ceiling mount (Low profile) (ELPMB30)	Approx. 3.5 kg		
	Ceiling pipe 450 (450 mm) (ELPP13)	2.1 kg		
	Ceiling pipe 700 (700 mm) (ELPP14)	2.6 kg		
Noise level ^{*2}	Light Source Mode: Normal	38 dB	31 dB	
	Light Source Mode: Quiet	27 dB	23 dB	
Items supplied		Remote, 2 AA dry cell batteries (for remote control), power cord (approx. 3 m), cable cover ^{*4} , warranty card, User's Guide set		

- *1 Approximate time before the brightness of the light source is reduced by half.
(Assuming the projector is being used in an environment containing airborne particles of 0.04 to 0.2 mg/m³. This is an approximate guide only and may change depending on the projector's usage and surroundings.)
- *2 All average values for this product at time of shipping comply with the ISO 21118 international standards.
- *3 When the surrounding temperature rises, the brightness of the light source is automatically reduced.
(Approx. 40°C at an altitude of 0 to 2,286m and approx. 35°C at an altitude of 2,287 to 3,048 m although these will vary depending on the usage environment.)
- *4 Not included with the EB-L520U.

Interface

* Position of interface on projector



No.	Name	No.	Name
①	Computer1 port (Mini D-Sub 15-pin, female)	⑨	HDMI2 port ^{*3*4}
②	Audio1 port (Stereo mini pin jack)	⑩	HDMI1 port ^{*3*4}
③	Audio2 port (Stereo mini pin jack)	⑪	DC Out port (EB-L735U/EB-L730U/EB-L635SU/EB-L630SU/EB-L630U/EB-L530U)
④	Audio Out port (Stereo mini pin jack)	⑫	LAN port (RJ45: 100Base-TX) ^{*5}
⑤	RS-232C port (Mini D-Sub 9-pin, male) ^{*1}	⑬	Service port (USB Type-B) ^{*2}
⑥	Computer2/Monitor Out port (Mini D-Sub 15-pin, female)	⑭	Wireless LAN module fixing screw
⑦	HDMI Out port (EB-L735U/EB-L730U/EB-L635SU/EB-L630SU/EB-L630U/EB-L530U) ^{*4}	⑮	USB-A port
⑧	HDBaseT port ^{*4*5}	⑯	Cable holder

*1 You do not need to use this port normally.

*2 This port is used for batch setup.

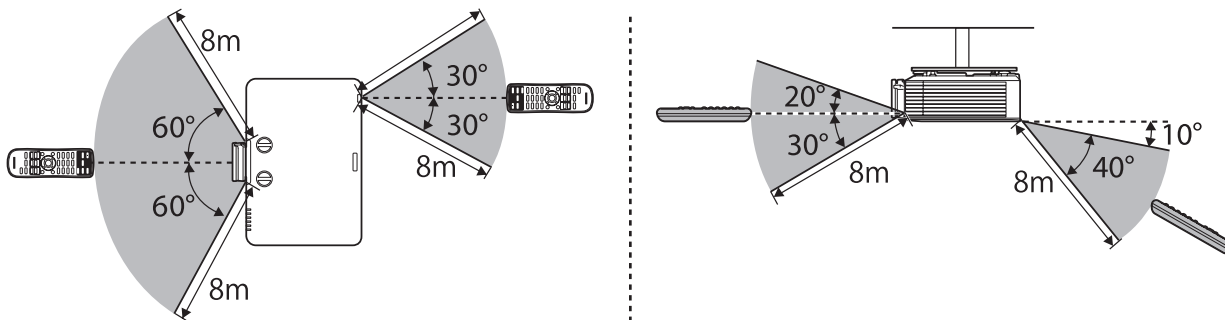
*3 Audio is only supported by PCM.

*4 HDCP2.3 is supported.

*5 Make sure you use LAN cables that are straight STP cables, category 5e or higher, and recommended by the HDBaseT Alliance.

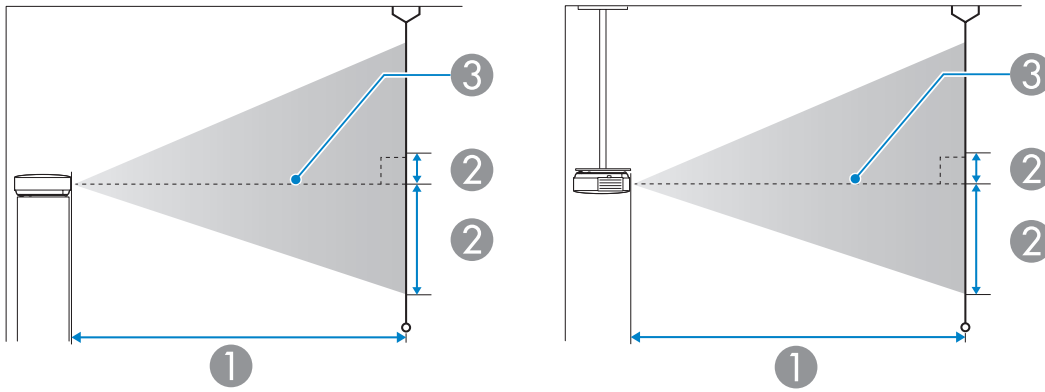
Remote Control Operating Range (Wireless)

The following shows the operation range for the remote control supplied with the projector.



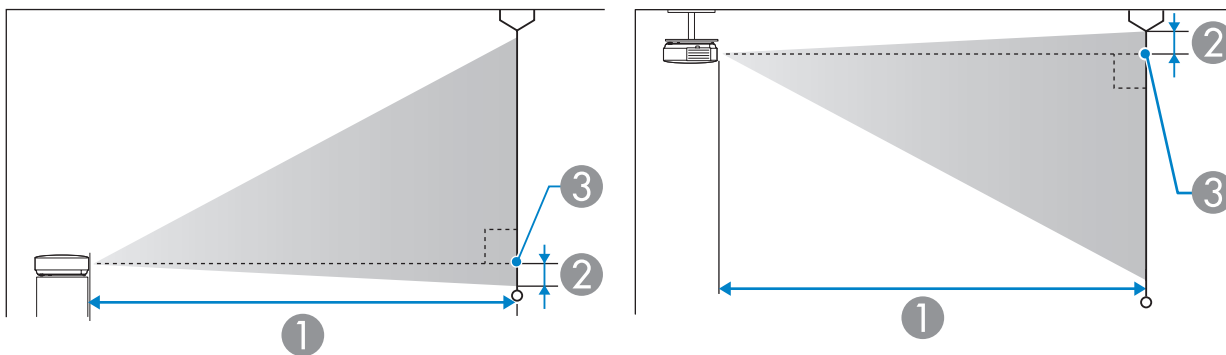
■ Screen Size and Projection Distance

EB-L735U/EB-L730U/EB-L635SU/EB-L630SU/EB-L630U/EB-L530U



- ① Projection distance (cm)
- ② Distance from the center of the lens to the base of the screen (This changes depending on the setting for vertical lens shift.) (cm)
- ③ Center of lens

EB-L720U/EB-L520U



- ① Projection distance (cm)
- ② Distance from the center of the lens to the base of the screen (or to the top of the screen, if suspended from a ceiling) (cm)
- ③ Center of lens

EB-L720U/EB-L520U do not support lens shift.

■ Projection Distance Formula

EB-L735U/EB-L730U/EB-L720U/EB-L630U/EB-L530U/EB-L520U

<For screens with an aspect ratio of 16:10>

Projection distance (①) formula	
Minimum	Projection distance (cm) = Projection screen size (inches) × 2.95848 - 3.5728
Maximum	Projection distance (cm) = Projection screen size (inches) × 4.7743 - 3.5078

<For screens with an aspect ratio of 4:3>

Projection distance (①) formula	
Minimum	Projection distance (cm) = Projection screen size (inches) × 3.34923 - 3.5728
Maximum	Projection distance (cm) = Projection screen size (inches) × 5.40488 - 3.5078

<For screens with an aspect ratio of 16:9>

Projection distance (①) formula	
Minimum	Projection distance (cm) = Projection screen size (inches) × 3.04074 - 3.5728
Maximum	Projection distance (cm) = Projection screen size (inches) × 4.90704 - 3.5078

<For screens with an aspect ratio of 16:6>

Projection distance (①) formula	
Minimum	Projection distance (cm) = Projection screen size (inches) × 3.26665 - 3.5728
Maximum	Projection distance (cm) = Projection screen size (inches) × 5.27161 - 3.5078

EB-L635SU/EB-L630SU

<For screens with an aspect ratio of 16:10>

Projection distance (①) formula	
Minimum	Projection distance (cm) = Projection screen size (inches) × 1.76148 - 3.00768
Maximum	Projection distance (cm) = Projection screen size (inches) × 2.378 - 4.06037

<For screens with an aspect ratio of 4:3>

Projection distance (①) formula	
Minimum	Projection distance (cm) = Projection screen size (inches) × 1.99413 - 3.00768
Maximum	Projection distance (cm) = Projection screen size (inches) × 2.69208 - 4.06037

<For screens with an aspect ratio of 16:9>

Projection distance (①) formula	
Minimum	Projection distance (cm) = Projection screen size (inches) × 1.81046 - 3.00768
Maximum	Projection distance (cm) = Projection screen size (inches) × 2.44411 - 4.06037

<For screens with an aspect ratio of 16:6>

Projection distance (①) formula	
Minimum	Projection distance (cm) = Projection screen size (inches) × 1.94496 - 3.00768
Maximum	Projection distance (cm) = Projection screen size (inches) × 2.6257 - 4.06037

Projection Distance

The projection distances are approximate values.

Visit the following Web site to find the projection distance calculator.

<https://epson.com/>

EB-L735U/EB-L730U/EB-L630U/EB-L530U

<For screens with an aspect ratio of 16:10>

[Units: cm]

Screen size		①	②
Inches (Diagonally)	Width × Height	Minimum (Wide) to Maximum (Tele)	Vertical lens shift (Bottom to Top)
50	108 × 67	144 - 235	-67 - 0
60	129 × 81	174 - 283	-81 - 0
70	151 × 94	204 - 331	-94 - 0
80	172 × 108	233 - 378	-108 - 0
100	215 × 135	292 - 474	-135 - 0
120	258 × 162	351 - 569	-162 - 0
150	323 × 202	440 - 713	-202 - 0
200	431 × 269	588 - 951	-269 - 0
300	646 × 404	884 - 1429	-404 - 0
500	1077 × 673	1476 - 2384	-673 - 0

<For screens with an aspect ratio of 4:3>

[Units: cm]

Screen size		①	②
Inches (Diagonally)	Width × Height	Minimum (Wide) to Maximum (Tele)	Vertical lens shift (Bottom to Top)
45	91 × 69	147 - 240	-69 - 0
50	102 × 76	164 - 267	-76 - 0
60	122 × 91	197 - 321	-91 - 0
80	163 × 122	264 - 429	-122 - 0
100	203 × 152	331 - 537	-152 - 0
110	224 × 168	365 - 591	-168 - 0
120	244 × 183	398 - 645	-183 - 0
150	305 × 229	499 - 807	-229 - 0
200	406 × 305	666 - 1077	-305 - 0
300	610 × 457	1001 - 1618	-457 - 0
440	894 × 671	1470 - 2375	-671 - 0

<For screens with an aspect ratio of 16:9>

[Units: cm]

Screen size		①	②
Inches (Diagonally)	Width × Height	Minimum (Wide) to Maximum (Tele)	Vertical lens shift (Bottom to Top)
49	108 × 61	145 - 237	-64 - 3
50	111 × 62	148 - 242	-66 - 3
60	133 × 75	179 - 291	-79 - 4
80	177 × 100	240 - 389	-105 - 6
100	221 × 125	301 - 487	-131 - 7
110	244 × 137	331 - 536	-145 - 8
120	266 × 149	361 - 585	-158 - 8
150	332 × 187	453 - 733	-197 - 10
200	443 × 249	605 - 978	-263 - 14
300	664 × 374	909 - 1469	-394 - 21
480	1063 × 598	1456 - 2352	-631 - 33

<For screens with an aspect ratio of 16:6>

[Units: cm]

Screen size		①	②
Inches (Diagonally)	Width × Height	Minimum (Wide) to Maximum (Tele)	Vertical lens shift (Bottom to Top)
46	109 × 61	147 - 239	-55 - 14
50	119 × 45	160 - 260	-59 - 15
60	143 × 54	192 - 313	-71 - 18
70	166 × 62	225 - 366	-83 - 21
80	190 × 71	258 - 418	-95 - 24
100	238 × 89	323 - 524	-119 - 30
120	285 × 107	388 - 629	-143 - 36
150	357 × 134	486 - 787	-178 - 45
200	476 × 178	650 - 1051	-238 - 59
300	713 × 268	976 - 1578	-357 - 89
452	1075 × 403	1473 - 2379	-537 - 134

EB-L635SU/EB-L630SU

<For screens with an aspect ratio of 16:10>

[Units: cm]

Screen size		① *1	②
Inches (Diagonally)	Width × Height	Minimum (Wide) to Maximum (Tele)	Vertical lens shift (Bottom to Top)
50	108 × 67	85 - 115	-67 - 0
60	129 × 81	103 - 139	-81 - 0
80	172 × 108	138 - 186	-108 - 0
90	194 × 121	156 - 210	-121 - 0
100	215 × 135	173 - 234	-135 - 0
148	319 × 199	258 - 348	-199 - 0
150	323 × 202	261 ^{*2}	-202 - 0
180	388 × 242	314 ^{*2}	-242 - 0
200	431 × 269	349 ^{*2}	-269 - 0

<For screens with an aspect ratio of 4:3>

[Units: cm]

Screen size		① *1	②
Inches (Diagonally)	Width × Height	Minimum (Wide) to Maximum (Tele)	Vertical lens shift (Bottom to Top)
45	91 × 69	87 - 117	-69 - 0
50	102 × 76	97 - 131	-76 - 0
60	122 × 91	117 - 157	-91 - 0
80	163 × 122	157 - 211	-122 - 0
90	183 × 137	176 - 238	-137 - 0
100	203 × 152	196 - 265	-152 - 0
120	244 × 183	236 - 319	-183 - 0
130	264 × 198	256 - 346	-198 - 0
150	305 × 229	296 ^{*2}	-229 - 0
176	358 × 268	348 ^{*2}	-268 - 0

<For screens with an aspect ratio of 16:9>

[Units: cm]

Screen size		① *1	②
Inches (Diagonally)	Width × Height	Minimum (Wide) to Maximum (Tele)	Vertical lens shift (Bottom to Top)
49	108 × 61	86 - 116	-64 - 3
50	111 × 62	88 - 118	-66 - 3
60	133 × 75	106 - 143	-79 - 4
80	177 × 100	142 - 191	-105 - 6
100	221 × 125	178 - 240	-131 - 7
120	266 × 149	214 - 289	-158 - 8
144	319 × 179	258 - 348	-189 - 10
150	332 × 187	269 ^{*2}	-197 - 10
180	398 × 224	323 ^{*2}	-237 - 12
194	429 × 242	348 ^{*2}	-255 - 13

<For screens with an aspect ratio of 16:6>

[Units: cm]

Screen size		① *1	②
Inches (Diagonally)	Width × Height	Minimum (Wide) to Maximum (Tele)	Vertical lens shift (Bottom to Top)
46	109 × 41	86 - 117	-55 - 14
50	119 × 45	94 - 127	-59 - 15
60	143 × 54	114 - 153	-71 - 18
80	190 × 71	153 - 206	-95 - 24
100	238 × 89	191 - 259	-119 - 30
120	285 × 107	230 - 311	-143 - 36
134	319 × 120	258 - 348	-159 - 40
150	357 × 134	289*2	-178 - 45
180	428 × 161	347*2	-214 - 54
181	430 × 161	349*2	-215 - 54

*1 Maximum (Tele): Digital Zoom

*2 Projecting in Wide (maximum zoom)

EB-L720U/EB-L520U

<For screens with an aspect ratio of 16:10>

[Units: cm]

Screen size		①	②
Inches (Diagonally)	Width × Height	Minimum (Wide) to Maximum (Tele)	
50	108 × 67	144 - 235	-2
60	129 × 81	174 - 283	-3
70	151 × 94	204 - 331	-3
80	172 × 108	233 - 378	-4
100	215 × 135	292 - 474	-5
120	258 × 162	351 - 569	-6
150	323 × 202	440 - 713	-7
200	431 × 269	588 - 951	-10
300	646 × 404	884 - 1429	-14
500	1077 × 673	1476 - 2384	-24

<For screens with an aspect ratio of 4:3>

[Units: cm]

Screen size		①	②
Inches (Diagonally)	Width × Height	Minimum (Wide) to Maximum (Tele)	
45	91 × 69	147 - 240	-2
50	102 × 76	164 - 267	-3
60	122 × 91	197 - 321	-3
70	142 × 107	231 - 375	-4
80	163 × 122	264 - 429	-4
100	203 × 152	331 - 537	-5
120	244 × 183	398 - 645	-7
150	305 × 229	499 - 807	-8
200	406 × 305	666 - 1077	-11
300	610 × 457	1001 - 1618	-16
440	894 × 671	1470 - 2375	-24

<For screens with an aspect ratio of 16:9>

[Units: cm]

Screen size		①	②
Inches (Diagonally)	Width × Height	Minimum (Wide) to Maximum (Tele)	
49	108 × 61	145 - 237	1
50	111 × 62	148 - 242	1
60	133 × 75	179 - 291	1
70	155 × 87	209 - 340	1
80	177 × 100	240 - 389	2
100	221 × 125	301 - 487	2
120	266 × 149	361 - 585	2
150	332 × 187	453 - 733	3
200	443 × 249	605 - 978	4
300	664 × 374	909 - 1469	6
486	1076 × 605	1474 - 2381	9

<For screens with an aspect ratio of 16:6>

[Units: cm]

Screen size		①	②
Inches (Diagonally)	Width × Height	Minimum (Wide) to Maximum (Tele)	
46	109 × 41	147 - 239	11
50	119 × 45	160 - 260	12
60	143 × 54	192 - 313	15
70	166 × 62	225 - 366	17
80	190 × 71	258 - 418	20
100	238 × 89	323 - 524	24
120	285 × 107	388 - 629	29
150	357 × 134	486 - 787	37
200	476 × 178	650 - 1051	49
300	713 × 268	976 - 1578	73
452	1075 × 403	1473 - 2379	110