

# W2700

## BenQ DLP Projector



### Features

- True 4K UHD (3840 x 2160) 8.3 Million Pixels Resolution
- HDR Pro: Hyper-Realistic Video Quality with Projector-Optimized HDR10 & HLG
- BenQ CinematicColor™ Technology for Supreme Colors
- Covers 100% Rec.709 and 95% DCI-P3 with Optimized RGRBGB Color Wheel
- Short Throw Projection with Vertical Lens Shift for Convenient Installation



### Product Specifications

<b>Projection System</b>	DLP
<b>DMD type</b>	0.47"
<b>Native Resolution</b>	4K UHD (3840 x 2160) Resolution
<b>Brightness</b>	2,000 ANSI Lumens
<b>Contrast Ratio*</b>	30,000 : 1
<b>Display Color</b>	30 Bits (1.07 billion colors)
<b>Aspect Ratio</b>	Native 16 : 9 (6 aspect ratios selectable)
<b>Light Source</b>	Lamp
<b>Light Source life**</b>	Normal 4,000 hours / Economic 10,000 hours / SmartEco 15,000 hours
<b>Throw Ratio</b>	1.13 - 1.47 (100" @ 2.5 m)
<b>Zoom Ratio</b>	1.3X
<b>Keystone Correction</b>	1D, (Auto) Vertical ± 30 degrees
<b>Projection Offset</b>	100%~110%
<b>Projection Size (Clear Focus / Maximum)</b>	40"~200" / 30"~300"
<b>Built-in Speaker</b>	5W x 2 (Chamber)
<b>Picture Mode</b>	ISF Disabled: Bright / Vivid / Cinema / D. Cinema / Silence / (3D)* / User 1 / HDR / HLG ISF Enabled: Bright / Vivid / Cinema / D. Cinema / Silence / ISF Night / ISF Day
<b>Color Wheel Segment</b>	6 segments
<b>Color Wheel Speed</b>	2D: 96Hz; 100Hz; 120Hz / 3D: 120Hz
<b>Security</b>	Security Bar, Kensington lock
<b>Feature</b>	HDR10, HLG, 3D, CinemaMasterVideo + (Motion Enhancer 4K, Pixel Enhancer 4K), ISF, CinemaMaster Audio + 2, Auto Keystone
<b>Resolution Support***</b>	VGA (640 x 480) to 4K UHD (3840 x 2160)
<b>Horizontal Frequency</b>	15K-135KHz
<b>Vertical Scan Rate</b>	23-120Hz
<b>HDTV Compatibility</b>	720p 50/60Hz, 1080i 50/60Hz, 1080p 24/25/30/50/60Hz, 2160p 23/24/25/30/60Hz
<b>Power Consumption (Max / Normal / Eco)</b>	350W / 340W / 280W
<b>Standby Power Consumption</b>	0.5W Max. at 100 ~ 240VAC
<b>Power Supply</b>	VAC 100 ~ 240 (50/60Hz)
<b>Product Dimensions (W x H x D)</b>	380 x 127 x 263 mm
<b>Product Weight</b>	4.2 kg
<b>Noise Level (Normal / Eco)</b>	30 / 28 dBA (Silence mode)
<b>Operating Temperature</b>	0~40 degrees (Celsius)
<b>Accessories (Standard)</b>	Remote Control with Battery x 1 (5JJKC06.001) Power Cord x 1 (3m) User Manual CD (27L) Quick Start Guide (21L) Warranty Card
<b>Accessories (Optional)</b>	Spare Lamp Kit (5JJKC05.001) 3D Glasses
<b>On Screen Display Language</b>	Arabic / Bulgarian / Croatian / Czech / Danish / Dutch / English / Finnish / French / German / Greek / Hindi / Hungarian / Italian / Indonesian / Japanese / Korean / Norwegian / Polish / Portuguese / Romanian / Russian / Simplified Chinese / Spanish / Swedish / Turkish / Thai / Traditional Chinese (28 Languages)

\* The Contrast is measured by Full On Full Off standard.

\*\*Lamp life results will vary depending on environmental conditions and usage. Actual product's features and specifications are subject to change without notice.

\*\*\*In 3D Mode: Resolution is 1920x1080 in 3D Mode.

## Input and Output Terminals

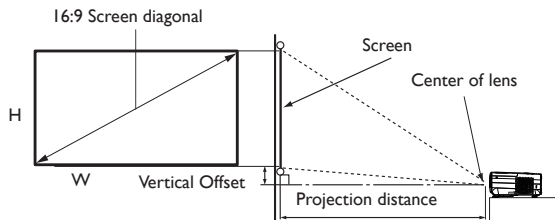


- ❶ DC 12V Trigger (3.5 mm Jack)
- ❷ RS232 input (D-sub 9pin, male)
- ❸ USB Type min B (FW download, service)
- ❹ USB Type A (Media Reader, FW download)
- ❺ HDMI (HDCP2.2)
- ❻ USB Type A (5V/2.5A power)
- ❼ Audio output (S/PDIF)
- ❽ Audio output (mini jack)
- ❾ AC Power cable inlet

## Dimensions



## Distance Chart

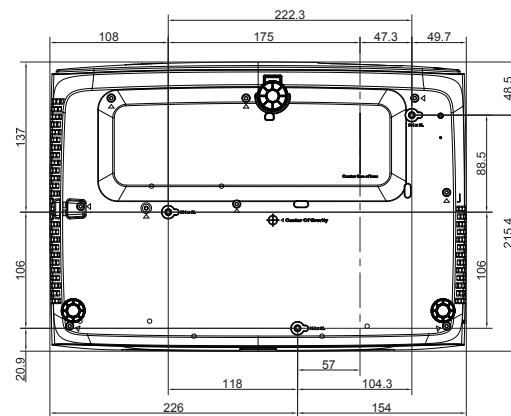


	Screen Size			Distance from Screen			Vertical offset
	Diagonal	Height	Width	Min length (max zoom)	Average	Max length (min zoom)	
	inch	mm	mm	mm	mm	mm	mm
30	762	374	664	718	835	952	19
40	1016	498	886	973	1129	1284	26
50	1270	623	1107	1228	1423	1617	33
60	1524	747	1328	1483	1717	1950	40
70	1778	872	1550	1738	2010	2281	47
80	2032	996	1771	1993	2303	2613	54
90	2286	1121	1992	2248	2597	2946	61
100	2540	1245	2214	2502	2890	3278	68
110	2794	1370	2435	2758	3184	3610	74
120	3048	1494	2657	3012	3478	3943	81
130	3302	1619	2878	3268	3772	4275	88
140	3556	1743	3099	3521	4064	4607	95
150	3810	1868	3321	3777	4358	4939	102
160	4064	1992	3542	4031	4652	5272	109
170	4318	2117	3763	4288	4946	5604	116
180	4572	2241	3985	4541	5239	5936	123
190	4826	2366	4206	4798	5533	6268	130
200	5080	2491	4428	5050	5826	6601	136
210	5334	2615	4649	5306	6120	6933	143
220	5588	2740	4870	5560	6413	7265	150
230	5842	2864	5092	5817	6707	7597	157
240	6096	2989	5313	6072	7001	7930	164
250	6350	3113	5535	6324	7293	8262	171
260	6604	3238	5756	6583	7589	8594	178
270	6858	3362	5977	6837	7882	8926	185
280	7112	3487	6199	7092	8176	9259	191
290	7366	3611	6420	7347	8469	9591	198
300	7620	3736	6641	7599	8761	9923	205

• The screen aspect ratio is 16:9 and the projected picture is in a 16:9 aspect ratio

## Ceiling Mount Chart

Ceiling/Wall mount screw: M4  
(Max L = 25 mm; Min L = 20 mm)



Unit: mm

BenQ Europe B.V.

Meerenakkerweg 1-17  
5652 AR Eindhoven  
The Netherlands  
Tel: +31 88 8889200  
Fax: +31 88 8889299

BenQ.eu

© 2019 BenQ Corp. Specifications may vary by region, please visit your local stores for details. Actual product's features and specifications are subject to change without notice. This material may include corporate names and trademarks of third parties which are the properties of the third parties respectively.

