

# Data Projector

## Operating Instructions

Before operating the unit, please read this manual and supplied Quick Reference Manual thoroughly and retain it for future reference.

VPL-SW636C/SW631C/SW631

VPL-SX631

Not all models are available in all countries and area. Please check with your local Sony Authorized Dealer.

## HDMI

# ProSelecta

---

# Table of Contents

---

## **Overview**

Location and Function of Controls ....	4
Main Unit .....	4
Terminals .....	5
Remote Commander and Control Panel Keys .....	6
Interactive Pen Device (VPL- SW636C/SW631C only) .....	8

---

## **Preparation**

Connecting the Projector .....	9
Connecting a Computer .....	9
Connecting a Video equipment .....	11
Connecting a microphone .....	13
Connecting a USB memory device .....	13
Connecting an External Monitor and Audio Equipment .....	13

---

## **Projecting an Image**

Projecting an Image .....	14
Adjusting the Projected Image ...	16
Turning Off the Power .....	20

---

## **Adjustments and Settings Using a Menu**

Using a MENU .....	21
The Picture Menu .....	22
The Screen Menu .....	23
The Function Menu .....	27
The Operation Menu .....	29
The Connection/Power Menu .....	30

The Installation Menu .....	33
The Information Menu .....	34
Notes When Using PC Free Interactive Function (VPL-SW636C only) .....	35

---

## **Network**

Using Network Features .....	36
Displaying the Control Window of the Projector with a Web Browser .....	36
Confirming the Information regarding the Projector .....	37
Operating the Projector from a Computer .....	38
Using the e-mail report Function .....	38
Setting the LAN Network of the projector .....	39
Setting the WLAN Network of the projector .....	40
Setting the Custom Labels for the Input Terminals of the Projector .....	42
Setting the Control Protocol of the Projector .....	42

---

## **Interactive Function**

Using Interactive Presentation Utility 2 (VPL-SW636C/SW631C only) ...	46
Connecting a Computer with a USB Cable .....	47
For Windows .....	47
For Mac .....	50
Using the PC Free Interactive Function (VPL-SW636C only) .....	52

Setting the PC Free Interactive Function .....	52
Toolbars and icons .....	52
Retrieve the Data Saved in the Projector .....	57
Add/delete template images to/from the projector .....	57
Using the Mouse Mode Function (VPL-SW636C only) .....	58
Setting the Mouse Mode .....	58
Operations of Interactive Pen Device While Using Mouse Mode .....	58

---

## **Presentation Function via Network**

Using Presentation Function via Network .....	59
Installing Projector Station for Network Presentation .....	59
Starting Projector Station for Network Presentation .....	59
Projecting an Image .....	60
Connection Settings .....	61
Using the Controller .....	62
One-Click projecting function ....	62
Option format .....	63
Use Projector Station for Network Presentation without installing it to the computer. ....	64
Error code list of Projector Station for Projector Station for Network Presentation .....	65
Displaying Images or Files Sent from a Tablet PC/Smartphone .....	66

---

## **Playing Video and Audio using USB Connection**

Playing Video and Audio using USB Connection .....	67
Starting USB Display .....	67
Playing Video and Audio .....	68
Using the Controller .....	68

---

## **USB Media Viewer**

Using USB Media Viewer .....	69
Thumbnail Mode .....	70
Display Mode .....	71
Slideshow Mode .....	71

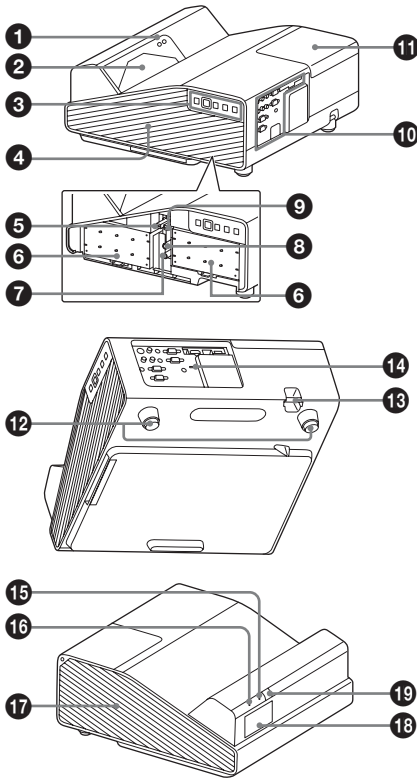
---

## **Others**

Indicators .....	73
Messages List .....	75
Troubleshooting .....	76
Replacing the Lamp .....	80
Cleaning the Air Filter .....	82
Specifications .....	84
Projection Distance and Lens Shift Range .....	91
Dimensions .....	95
END USER LICENSE AGREEMENT .....	97
Index .....	103

# Location and Function of Controls

## Main Unit



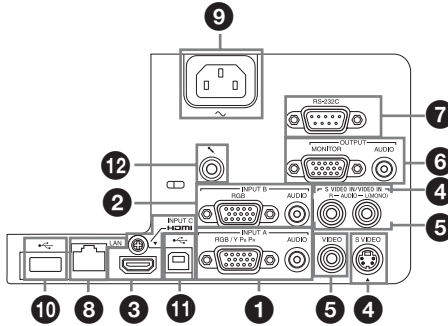
- 1 Interactive Pen detector (VPL-SW636C/SW631C only)
- 2 Projection window
- 3 Control panel keys (page 6)
- 4 Side cover/Ventilation hole (intake)
- 5 Focus lever (page 16)
- 6 Air filter (page 82)
- 7 Lens shift dial H (page 17)
- 8 Lends shift dial V (page 17)

- 9 Zoom lever (page 16)
- 10 Terminals (page 5)
- 11 Lamp cover (page 80)
- 12 Foot (page 17)
- 13 Security bar  
Connects to a commercially available security chain or wire.
- 14 Security lock  
Connects to an optional security cable manufactured by Kensington. For details, visit Kensington's web site. <http://www.kensington.com/>
- 15 ON/STANDBY indicator (page 73)
- 16 WARNING indicator (page 73)
- 17 Ventilation holes (exhaust)

### Caution

Do not place anything near the ventilation holes as this may cause internal heat buildup. Do not place your hand near the ventilation holes and the circumference as this may cause injury.

- 18 Speaker
- 19 Remote control receiver



## Input (pages 9, 11)

### 1 INPUT A

Video: RGB/Y/PbPr input terminal (RGB/Y/PbPr)  
Audio: Audio input terminal (AUDIO)

### 2 INPUT B

Video: RGB input terminal (RGB)  
Audio: Audio input terminal (AUDIO)

### 3 INPUT C

Video: HDMI input terminal (HDMI)  
Audio: HDMI input terminal (HDMI)

### 4 S VIDEO (S VIDEO IN)

Video: S video input terminal (S VIDEO IN)  
Audio: Audio input terminal (L (MONO) AUDIO/R)

### 5 VIDEO (VIDEO IN)

Video: Video input terminal (VIDEO)  
Audio: Audio input terminal (L (MONO) AUDIO/R)

#### Note

The audio inputs of S VIDEO and VIDEO are shared.

## Output (page 13)

### 6 OUTPUT

Video: Monitor output terminal (MONITOR)  
Audio: Audio output terminal (AUDIO)

#### Note

This terminal outputs the projected image only when INPUT A or INPUT B is used.

## Others

### 7 RS-232C terminal (RS-232C)

RS-232C compatible control terminal. Connects the computer's RS-232C terminal and the RS-232C cross cables.

### 8 LAN terminal (page 36)

### 9 AC IN (~) socket

Connects the supplied AC power cord.

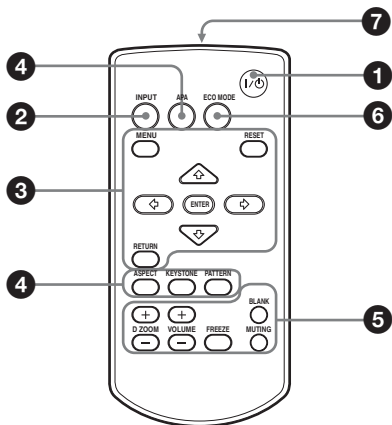
### 10 USB terminal (Type A) ( ) (pages 13, 69)

### 11 USB terminal (Type B) ( ) (page 67)

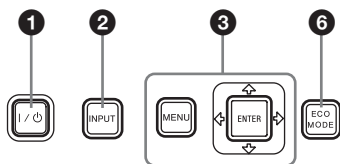
### 12 Microphone input ( )

## Remote Commander and Control Panel Keys

### Remote Commander



### Control Panel Keys



**1 Turning on the power/Going to standby mode**  
I/O (On/Standby) key

**2 Selecting an input signal**  
(page 14)  
INPUT key

**3 Operating a menu** (page 21)  
MENU key  
RESET key  
ENTER /▲/▼/◀/▶ (arrow) keys  
RETURN key

**4 Adjusting the image** (page 16)  
ASPECT key (page 23)  
KEYSTONE key (page 18)  
PATTERN key (page 19)  
APA (Auto Pixel Alignment) key \*1  
(page 19)

#### Note

\*1: Use this key when inputting a computer signal via the RGB input terminal (INPUT A or INPUT B).

**5 Using various functions during projecting**

**D ZOOM (Digital Zoom) +/- key** \*1 \*3  
Enlarges a portion of the image while projecting.

**1** Press the D ZOOM + key to display the digital zoom icon on the projected image.

**2** Press the ▲/▼/◀/▶ keys to move the digital zoom icon to the point on the image you want to enlarge.

**3** Press the D ZOOM + key or the D ZOOM – key repeatedly to change the enlargement ratio. The image can be enlarged up to 4 times.

Press the RESET key to restore the previous image.

#### BLANK key

Cuts off the projected image temporarily. Press again to restore the previous image. Picture muting helps reduce power consumption.

#### MUTING key

Mutes the audio output temporarily. Press again to restore the previous volume.

#### VOLUME +/- key

Adjusts the volume output.

#### FREEZE key

 \*2 \*3

Pauses a projected image. Press again to restore the image.

**Notes**

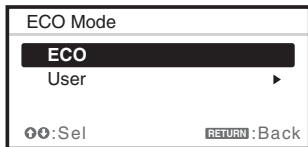
- \*1: Use this key when inputting a computer signal. But it may not be used depending on the resolution of the input signal.
- \*2: Use this key when inputting a computer signal. You cannot use this key when “Type A USB”, “Type B USB” or “Network” is selected as the input.
- \*3: This does not work for data drawn with the Interactive Pen Device using the PC Free Interactive function. This works only for background images from an external device. (VPL-SW636C only)

**6 Setting the energy-saving mode easily**

**ECO MODE key**

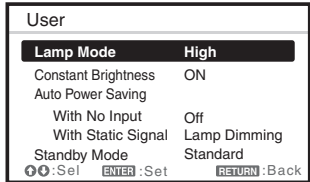
Energy-saving mode can be set easily. Energy-saving mode consists of “Lamp Mode,” “With No Input,” “With Static Signal” and “Standby Mode.”

- 1 Press the ECO MODE key to display the ECO Mode menu.



- 2 Press the ▲/▼ key or ECO MODE key to select “ECO” or “User” mode.
  - ECO:** Sets each mode to the optimum energy-saving value.
    - Lamp Mode: Low
    - With No Input: Standby
    - With Static Signal: Lamp Dimming
    - Standby Mode: Low
  - User:** Sets each item of the ECO Mode menu as you desire (go to step 3).

- 3 Select “User” then press the ► key. The setting items appear.



- 4 Press the ▲/▼ key to select the item then press the ENTER key.
- 5 Press the ▲/▼ key to select the setting value.
- 6 Press the ENTER key. The screen returns to the User screen. For details on ECO Mode settings, see “Lamp Mode,” “Constant Brightness,” “With No Input,” “With Static Signal” and “Standby Mode” on the Connection/Power menu (page 30).

**Note**

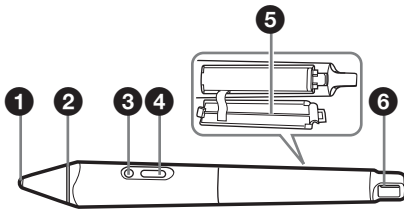
If you set “ECO Mode” to “ECO,” or “Standby Mode”(in “User”) to “Low,” the network control function will be disabled in standby mode. If the external control is being performed by using the network or network control function, do not select “ECO,” or do not set “Standby Mode” ( in “User”) to “Low.”

**7 Infrared transmitter**

**About remote commander operation**

- Direct the remote commander toward the remote control receiver.
- The shorter the distance between the remote commander and the projector is, the wider the angle within which the remote commander can control the projector becomes.
- Make sure that nothing obstructs the infrared beam between the remote commander and the remote control receiver on the projector.

## Interactive Pen Device (VPL-SW636C/SW631C only)



### 1 Pen tip switch

Functions as the left button of a mouse.

### 2 Color ring

main (IFU-PN250A): red  
sub(IFU-PN250B): blue

### 3 Indicator

This indicator flashes when the button is pressed and lights up when the pen tip touches the screen. It will not light up if battery power is low. In this case, replace the batteries.

### 4 Button

Main: Switches between drawing and mouse functions. When using mouse mode, you can use this button as a right-click (page 58).

Sub: Displays the sub pen toolbar.

### 5 Battery cover

The battery cover is attached to the Interactive Pen Device by a small strap. Be careful not to break the strap when opening the battery cover.

### 6 Strap attachment hole



# Connecting the Projector

## Notes

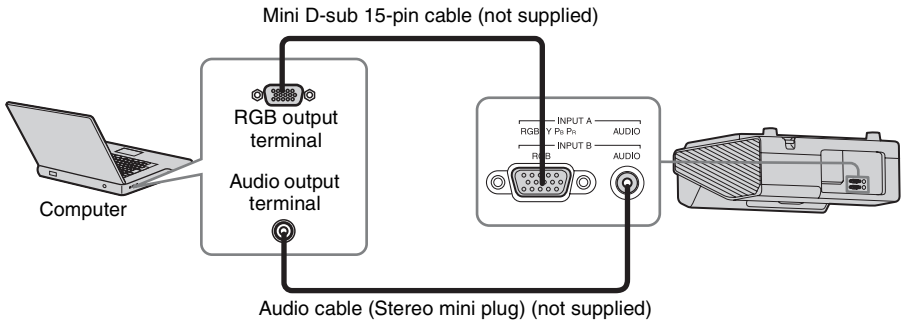
- Make sure all the equipment is powered off when connecting the projector.
- Use the proper cables for each connection.
- Insert the cable plugs firmly; Loose connections may reduce performance of picture signals or cause a malfunction. When pulling out a cable, be sure to grip it by the plug, not the cable itself.
- For more information, refer also to the instruction manuals of the equipment you are connecting.
- Use a no-resistance audio cable.

## Connecting a Computer

Connection with a computer is explained for each input signal.

### INPUT A/INPUT B

For connecting a computer with an RGB output terminal.

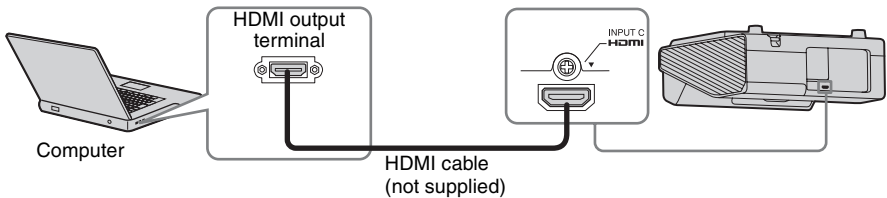


### Note

It is recommended that you set the resolution of your computer to 1280 × 800 pixels (VPL-SW636C/SW631C/SW631) or 1024 × 768 pixels (VPL-SX631) for the external monitor.

### INPUT C

For connecting a computer with an HDMI output terminal.

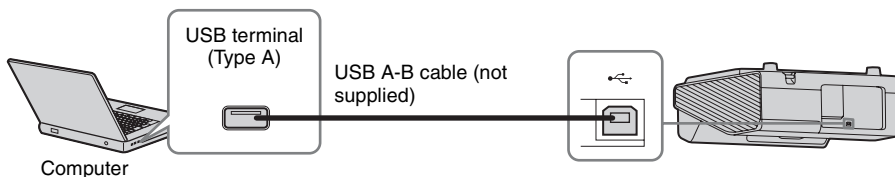


## Notes

- Use HDMI-compatible equipment which has the HDMI Logo.
- Use a high speed HDMI cable(s) on which the cable type logo is specified. (Sony products are recommended.)
- The HDMI terminal of this projector is not compatible with DSD (Direct Stream Digital) Signal or CEC (Consumer Electronics Control) Signal.

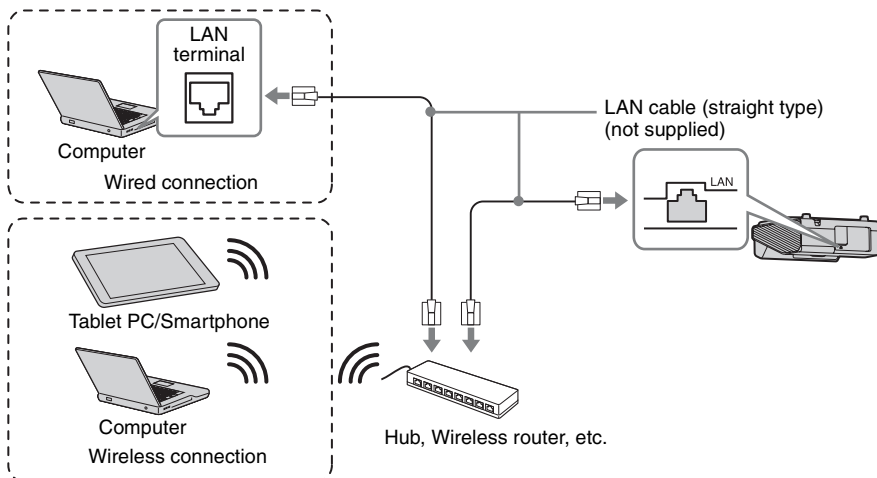
## USB terminal (Type B) (🔌)

For connecting to a computer with a USB terminal (“Playing Video and Audio using USB Connection” (page 67)).



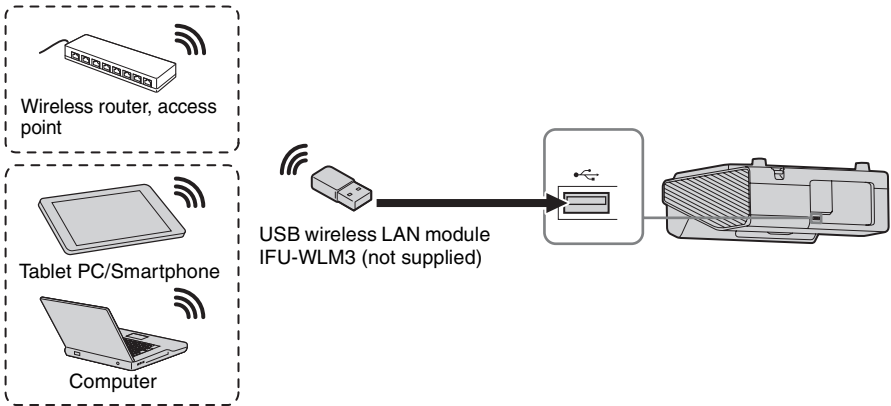
## LAN terminal

For connecting to a computer, tablet PC, or smartphone via a hub or router (“Presentation Function via Network” (page 59)).



## USB terminal (Type A) (🔌)

For connecting a USB wireless LAN module IFU-WLM3 (not supplied) (“Presentation Function via Network” (page 59)).



### Notes

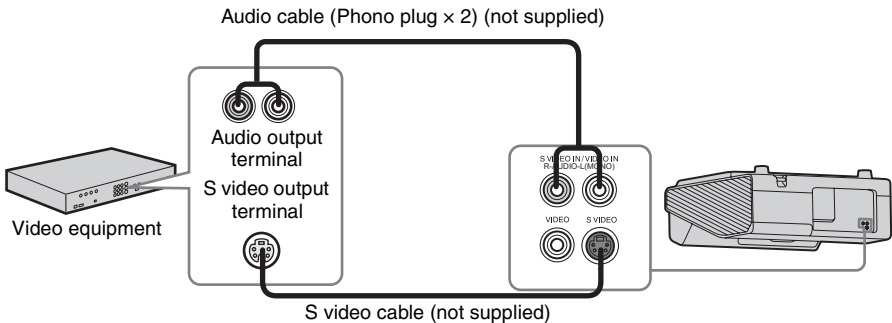
- Undesignated USB wireless LAN modules do not work.
- When connecting/disconnecting the USB wireless LAN module, make sure that the projector is in Standby mode (Standby Mode: “Low”), or the AC power cord is unplugged from the wall outlet.
- When wirelessly connecting a tablet PC/smartphone to the projector via USB wireless LAN module IFU-WLM3 (not supplied), set “WLAN Network” to “Access Pt.” in the projector’s “WLAN Settings” (page 30).
- For connecting to the access point, access to the Web browser, and input the settings for the access point to connect. For details, see “Setting the WLAN Network of the projector” (page 40).

## Connecting a Video equipment

Connections with a VHS video deck, DVD player, or BD player are explained for each input signal.

### S VIDEO IN

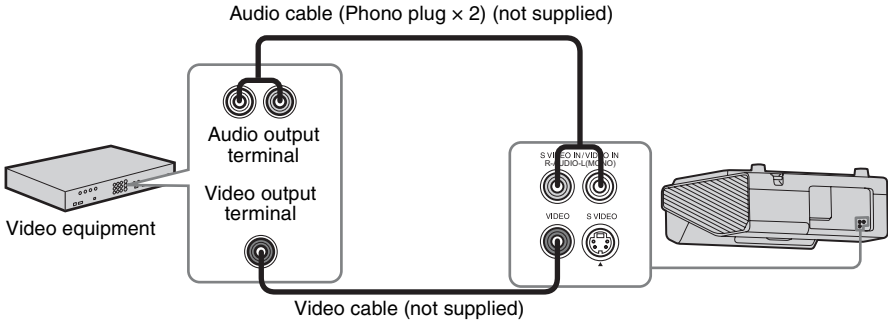
For connecting video equipment with an S-video output terminal.



---

## VIDEO IN

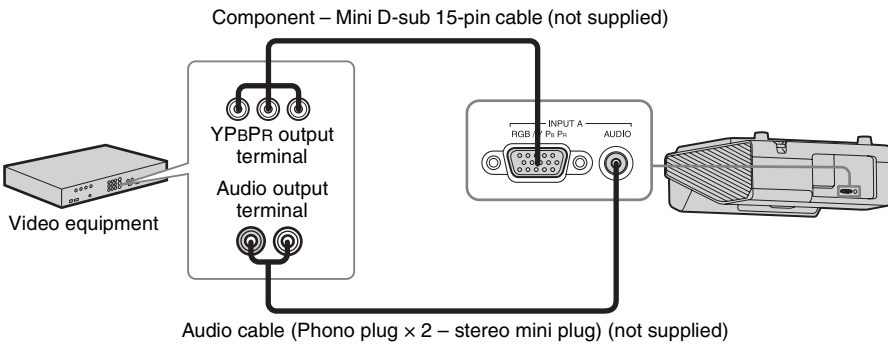
For connecting video equipment with a video output terminal.



---

## INPUT A

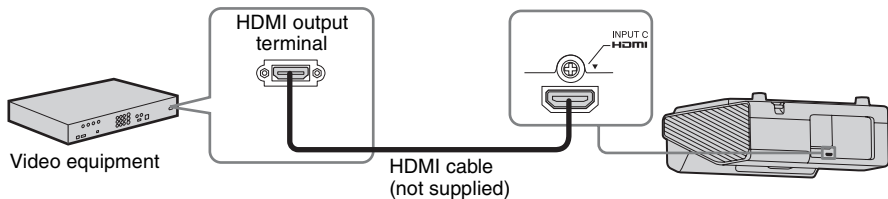
For connecting video equipment with a YPbPr output terminal.



---

## INPUT C

For connecting video equipment with an HDMI output terminal.



### Notes

- Use HDMI-compatible equipment which has the HDMI Logo.
- Use a high speed HDMI cable(s) on which the cable type logo is specified. (Sony products are recommended.)
- The HDMI terminal of this projector is not compatible with DSD (Direct Stream Digital) Signal or CEC (Consumer Electronics Control) Signal.

## Connecting a microphone

### Microphone (🔊)

For connecting a microphone.



Microphone  
(not supplied)

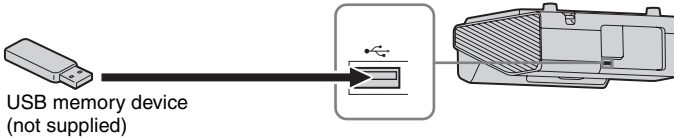
#### Note

Only dynamic microphones are supported.

## Connecting a USB memory device

### USB terminal (Type A) (🔌)

For connecting a USB memory device (“Using USB Media Viewer” (page 69)).

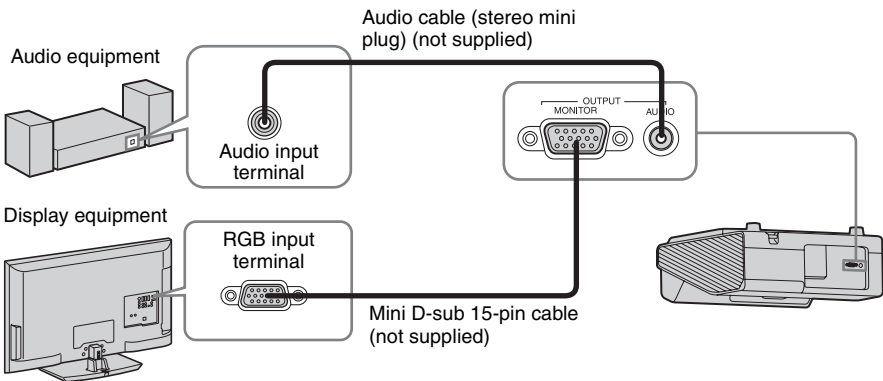


USB memory device  
(not supplied)

## Connecting an External Monitor and Audio Equipment

### OUTPUT

Projected images or input audio can be output to display equipment such as a monitor or audio equipment such as speakers with a built-in amplifier.



#### Note

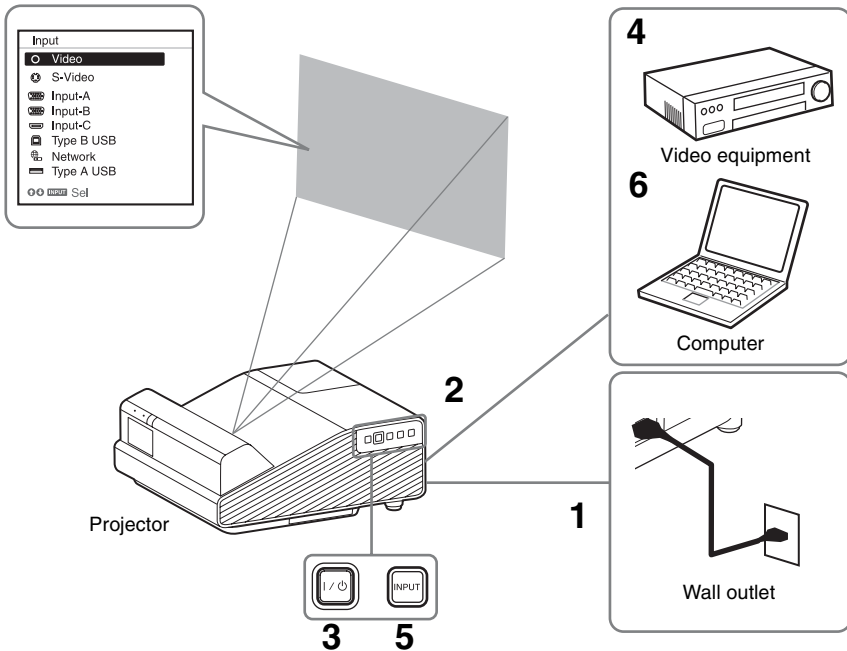
Projected images and audio can be output.

# Projecting an Image

The size of a projected image depends on the distance between the projector and screen. Install the projector so that the projected image fits the screen size. For details on projection distances and projected image sizes, see “Projection Distance and Lens Shift Range” (page 91).

## Notes

- Project the image on a flat surface.
- Due to the characteristics of ultra short throw projector, the image may appear uneven on a projection surface that is not absolutely flat. This is not a malfunction of the projector.



- 1** Plug the AC power cord into the wall outlet.
- 2** Connect all equipment to the projector (page 9).
- 3** Press the I/⏻ key to turn on the unit.
- 4** Turn on the connected equipment.
- 5** Select the input source.  
Press the INPUT key on the projector to display the menu for switching input signal on the screen. Press the INPUT key repeatedly, or press the ⬆/⬇ key to select an image to be projected.
- 6** When projecting a computer image, switch your computer's output to external display.  
The method to switch the output varies depending on the type of computer.

(Example)



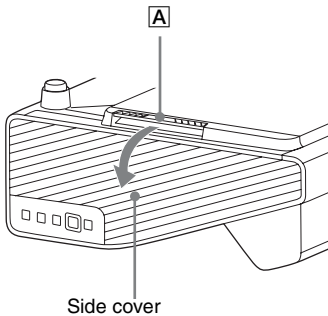
To project image files stored in a USB memory device, see “USB Media Viewer” (page 69). To play video and audio using USB Connection, see “Playing Video and Audio using USB Connection” (page 67). To use Presentation Function via Network, see “Presentation Function via Network” (page 59).

- 7 Adjust the focus, size and position of the projected image (page 16).  
Open the side cover, and adjust the lens shift dials, focus lever and zoom lever.

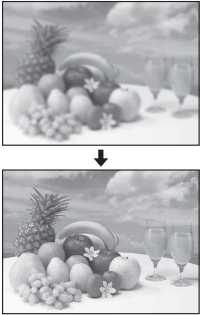

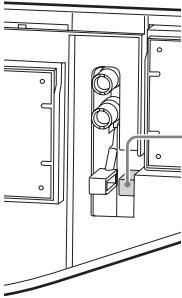
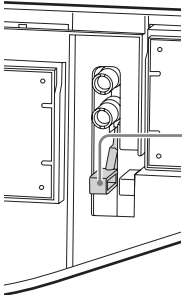
---

### Open the side cover

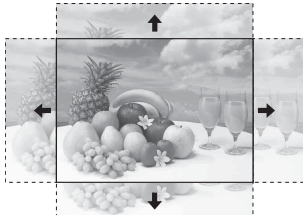

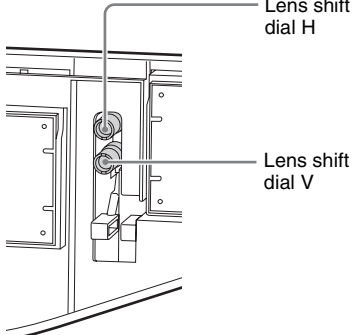
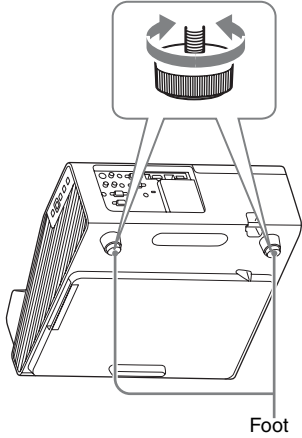
Press **A** and open the side cover in the direction of the arrow shown on the illustration below.



## Adjusting the Projected Image

Focus	Size (Zoom)
	
 <p data-bbox="437 692 493 735">Focus lever</p>	 <p data-bbox="874 692 930 735">Zoom lever</p>



Position (Lens shift)	Position
	
 <p data-bbox="128 750 509 798">For adjusting lens shift, turn each dial with your hand, screwdriver, etc.</p>	 <p data-bbox="873 821 918 845">Foot</p> <p data-bbox="560 869 957 925"><b>Adjusting the tilt of the projector with the feet</b></p> <p data-bbox="560 925 963 981">You can adjust the height of the projector using the feet.</p> <p data-bbox="560 981 991 1061">By changing the tilt of the projector with feet, you can adjust the position of the projected image.</p> <ul data-bbox="560 1061 985 1165" style="list-style-type: none"> <li>• Be careful not to let the projector down on your fingers.</li> <li>• Do not push hard on the top of the projector with the foot extended.</li> </ul>

---

## Changing the aspect ratio of the projected image

Press the ASPECT key on the remote commander to change the aspect ratio of the projected image. You can also change the setting in Aspect of the Screen menu (pages 23, 25).

---

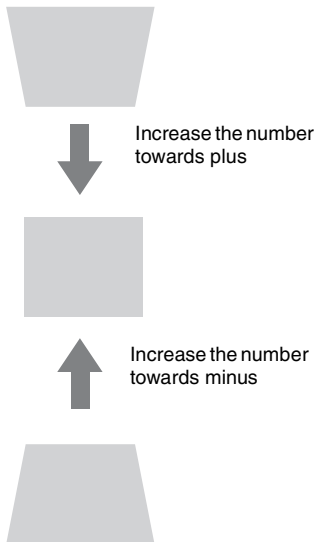
## Correcting trapezoidal distortion of the projected image (Keystone feature)

If the image becomes trapezoidal, set the keystone manually.

- 1 Press the KEYSTONE key on the remote commander or select V Keystone in the Installation menu.
- 2 Use the  $\uparrow/\downarrow/\leftarrow/\rightarrow$  keys to set the value. The higher the value, narrower the top of the projected image. The lower the value, the narrower the bottom.

### Notes

- Since the Keystone adjustment is an electronic correction, the image may be deteriorated.
- Depending on the position adjusted with the lens shift feature, the aspect ratio of the image may change from the original or projected image may be distorted with Keystone adjustment.
- If you perform keystone adjustment and use mouse mode, the position of the Interactive Pen Device and the computer cursor may not match. In this case, perform the calibration again. (VPL-SW636C only)



## Fitting the projected image to the screen (Digital Shrink adjustment)

If the projected image exceeds the size of the screen, you can shrink and adjust the position of it.

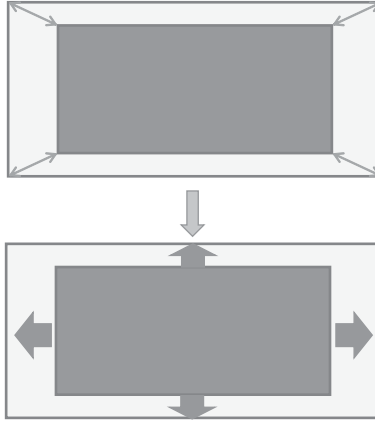
1 Select “Rid. digitale” in the Installation menu.

2 Set the shrinking rate.

Press the  $\uparrow/\downarrow/\leftarrow/\rightarrow$  key to adjust the value. The more the value increases towards the plus side, the smaller the projected image becomes.

3 Press the ENTER button to display the shift adjustment menu and adjust the display position of the projected image.

Press the  $\uparrow/\downarrow/\leftarrow/\rightarrow$  key to adjust the display position.



### Notes

- If the shrinking rate is set to “0,” you cannot move the image. If the projector is projecting an image with a resolution that is different from the panel display resolution of this projector, it may not be possible to move the image.
- When you use the PC Free Interactive function or mouse mode, do not perform Digital Shrink adjustment. The position of the Interactive Pen Device may slip off out of the image (VPL-SW636C only).

## Displaying a pattern

You can display a pattern for adjusting the projected image or a grid pattern with the PATTERN key on the remote commander. Press the PATTERN key again to restore the previous image. You can use a grid pattern as a guide to write text or to draw lines and shapes on the whiteboard or blackboard without using a computer.

### Note

You cannot use this key when “Type A USB”, “Type B USB” or “Network” is selected as the input.

## Automatically adjusting Phase, Pitch, and Shift of the projected image while a signal is input from a computer (APA (Auto Pixel Alignment))

Press the APA key on the remote commander. Press again to cancel adjusting during the setting. You can also set APA in the Screen Menu (page 24). If Smart APA in the Function menu is set to “On”, executes APA automatically when a signal is input (page 27).

## Turning Off the Power

- 1 Press the **I/⏻** key on the unit or the remote commander.  
The projector starts shutdown and turns off. If you press the **I/⏻** key within 10 seconds again, shutdown is cancelled.

### Note

Do not turn off the projector soon after the lamp lights. It may cause a malfunction of the lamp (does not light ,etc.).

- 2 Unplug the AC power cord from the wall outlet.

---

### Turning off without displaying the confirmation message

Press and hold the **I/⏻** key on the unit for a few seconds (page 75).

### Note

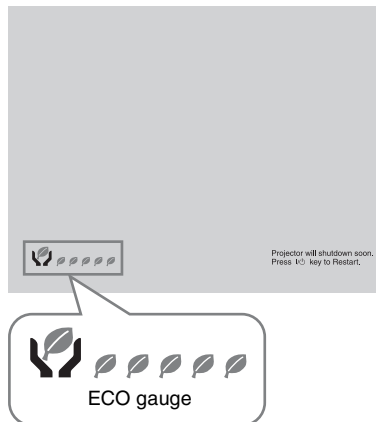
If you turn off the unit soon after the lamp is turned on, the confirmation message will be displayed and may take a longer time for the unit to turn off.

---

### ECO gauge

This gauge indicates the current effectiveness of the projector's ECO function. (For details on the ECO function, see "ECO MODE key" (page 7) and "ECO" (page 31).)

The leaf icons are displayed when the projector is shut down. The number of displayed icons varies according to how much energy is saved as a result of using the ECO function.



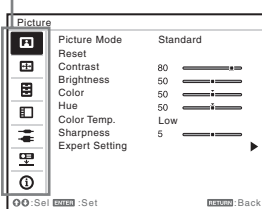
# Using a MENU

## Note

The menu displays used for the explanation below may be different depending on the model you are using.

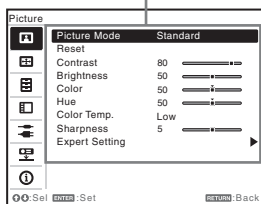
- 1 Press the MENU key to display the menu.
- 2 Select the setting menu.  
Use the  $\uparrow/\downarrow$  key to select the setting menu then press the  $\rightarrow$  key or ENTER key.

Setting menu



- 3 Select the setting item.  
Use the  $\uparrow/\downarrow$  key to select the setting menu then press the  $\rightarrow$  key or ENTER key.  
To return to the selection screen of the setting menu, press the  $\leftarrow$  or RETURN key.

Setting items

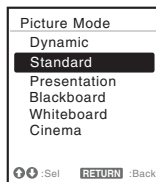


- 4 Make the setting or adjustment for the selected item.  
The setting method varies, depending on the setting item.  
If the next menu window is displayed, select the item according to the

operations in step 3 and then press the ENTER key to register the setting.  
To return to the selection screen of the setting items, press the  $\leftarrow$  or RETURN key. You can press the RESET key to reset an item to its factory setting value to aid setting.

## Using a pop-up menu

Press the  $\uparrow/\downarrow/\leftarrow/\rightarrow$  key to select an item. A selected item takes effect immediately, except "Language", which will take effect after you press the ENTER key.

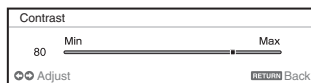


## Using the setting menu

Press the  $\uparrow/\downarrow$  key to select the item. Press the ENTER key to register the setting and return to the previous screen.

## Using the adjustment menu

To increase the value, press the  $\uparrow/\rightarrow$  key and to decrease the number, press the  $\downarrow/\leftarrow$  key. Press the ENTER key to register the setting and return to the previous screen.



- 5 Press the MENU key to clear the menu.  
The menu disappears automatically if no operation is performed.

# The Picture Menu <sup>\*1</sup>

The Picture is used to adjust the picture for each input signal.

Items	Item descriptions
Picture Mode	<b>Dynamic:</b> Emphasizes the contrast to produce a dynamic and vivid picture. <b>Standard:</b> Provides an image which is natural and well balanced. <b>Presentation:</b> Provides a bright image, suitable for presentations. <b>Blackboard:</b> Provides an image suitable for displaying on a blackboard. <b>Whiteboard:</b> Provides an image suitable for displaying on a whiteboard. <b>Cinema:</b> Provides an image suitable for viewing movies.
Reset <sup>*2</sup>	Resets the factory setting.
Contrast	The higher the value, the greater the contrast. The lower the value, the lower the contrast.
Brightness	The higher the value, the brighter the picture. The lower the value, the darker the picture.
Color <sup>*3 *4</sup>	The higher the value, the greater the intensity. The lower the value, the lower the intensity.
Hue <sup>*3 *4 *5</sup>	The higher the value, the more greenish the picture becomes. The lower the value, the more reddish the picture becomes.
Color Temp. <sup>*6</sup>	<b>High/Middle/Low:</b> The higher the value, the more bluish the picture. The lower the value, the more reddish the picture.
Sharpness <sup>*7</sup>	The higher the value, the sharper the picture. The lower the value, the softer the picture.
Expert Setting	
Gamma Mode <sup>*8</sup>	<b>Graphics1:</b> Gamma correction to make halftones brighter. This setting is suitable when projecting highly colorful images, such as photos, in a bright place. <b>Graphics2:</b> Gamma correction to improve the reproduction of halftones. Highly colorful images, such as photos, can be reproduced in natural tones. <b>Graphics3:</b> Selects gamma correction to emphasize bright parts. Projects images explicitly.

## Notes

- \*1: For VPL-SW636C, only “Color Temp.” is available for the data drawn with the Interactive Pen Device using the PC Free Interactive function and in whiteboard mode. For the background image from the external device, all the setting items work (page 35).
- \*2: The settings in the Picture return to their factory defaults, except for Picture Mode.
- \*3: When a video signal is input, this option is available.
- \*4: When the signal without color burst signal is input after selecting “Video” or “S-Video”, this option is unavailable.
- \*5: When an analog TV signal is input, this option may not available, depending on the color system.
- \*6: When “Picture Mode” is set to the item other than “Presentation” or “Blackboard,” this option is available.
- \*7: Not available if “Input” is set to “Type A USB.”
- \*8: When “Picture Mode” is set to “Blackboard,” this option is unavailable.

# The Screen Menu <sup>\*1</sup>

The Screen menu is used to adjust the size, position and aspect ratio of the projected image for each input signal.

Items	Item descriptions
Aspect <sup>*2</sup>	Changes the aspect ratio of the projected image (page 25).
VPL-SW636C/ SW631C/SW631: When the computer signal is input	<b>4:3:</b> Displays the image to fit the maximum projected image size with an aspect ratio fixed to 4:3. <b>16:9:</b> Displays the image to fit the maximum projected image size with an aspect ratio fixed to 16:9. <b>Full 1:</b> Displays the image to fit the maximum projected image size without changing the aspect ratio of the input signal. <b>Full 2:</b> Displays the image to fit the maximum projected image size changing the aspect ratio of the input signal. <b>Full 3:</b> Displays the image to fit the maximum width or height, up to 1280 × 720 pixels, without changing the aspect ratio of the input signal. <b>Normal:</b> Displays the image on the center position of the projected screen without changing the resolution of the input signal or enlarging the image.
VPL-SW636C/ SW631C/SW631: When the video signal is input	<b>4:3:</b> Displays the image to fit the maximum projected image size with an aspect ratio fixed to 4:3. <b>16:9:</b> Displays the image to fit the maximum projected image size with an aspect ratio fixed to 16:9. <b>Full:</b> Displays the image to fit the maximum projected image size changing the aspect ratio of the input signal. <b>Zoom:</b> Zooms the center area of a projected image.
VPL-SX631: When the computer signal is input	<b>4:3:</b> Displays the image to fit the maximum projected image size with an aspect ratio fixed to 4:3. <b>16:9:</b> Displays the image to fit the maximum projected image size with an aspect ratio fixed to 16:9. <b>Full 1:</b> Displays the image to fit the maximum projected image size without changing the aspect ratio of the input signal. <b>Normal:</b> Displays the image on the center position of the projected screen without changing the resolution of the input signal or enlarging the image.
VPL-SX631: When the video signal is input	<b>4:3:</b> Displays the image to fit the maximum projected image size with an aspect ratio fixed to 4:3. <b>16:9:</b> Displays the image to fit the maximum projected image size with an aspect ratio fixed to 16:9. <b>Zoom:</b> Zooms the center area of a projected image.

Items	Item descriptions
Adjust Signal	Adjusts the image of computer signal. Use this item if the edge of the image is cut and reception is bad.
APA <sup>*3</sup> <sup>*4</sup>	Automatically adjusts the projected image to an optimum quality when you press the ENTER key (page 6).
Phase <sup>*3</sup>	Adjusts the dot phase of the display pixel and the input signal. Set to the value where looks clearest.
Pitch <sup>*3</sup> <sup>*6</sup>	The higher the value, the wider the horizontal image elements (pitch). The lower the value, the narrower the horizontal image elements (pitch).
Shift <sup>*5</sup>	<b>H (Horizontal):</b> The higher the value, the farther right the image is projected on the screen. The lower the value, the image farther left. <b>V (Vertical):</b> The higher the value, the farther up the image is projected on the screen. The lower the value, the image farther down.

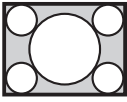
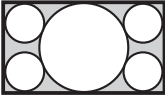
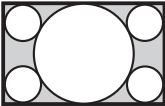
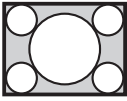
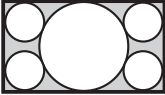
### Notes

- \*1: For VPL-SW636C, this setting is not available for the drawing data drawn with the Interactive Pen Device of PC Free Interactive function and whiteboard mode. This works only for the background image from the external device (page 35).
- \*2: • Note that if the projector is used for profit or for public viewing, modifying the original picture by switching to the aspect mode may constitute an infringement of the rights of authors or producers, which are legally protected.
- Depending on the input signal, setting items for aspect ratio or some other setting items cannot be set in some cases, or changing the aspect ratio setting may have no effect.
  - A part of the image may be displayed in black, depending on the setting item.
- \*3: Available when a computer signal is input from the RGB input terminal (INPUT A/INPUT B).
- \*4: If the projected image includes large amount of black portion around it, the APA function will not work properly and a part of the image may not be displayed on the screen and also optimum image cannot be obtained, depending on the type of input signal. In this case, adjust the “Phase,” “Pitch,” and “Shift” items manually.
- \*5: Available when a computer or a video signal is input from the RGB/YPbPr input terminal (INPUT A).
- \*6: When “APA” (page 24) or “Smart APA” (page 27) is performed, the adjusted value for “Pitch” will return to its factory default. If you want to continue using the adjusted value, set “Smart APA” to “Off.”



# Aspect

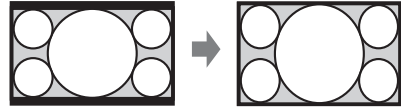
## VPL-SW636C/SW631C/SW631

	Input signal	Recommended setting value and projected image
Computer signal	4:3	Full1 *1 *2 *3 
	16:9	Full1 *1 *2 *3 
	16:10	Full1 *3 
Video signal	4:3	4:3 *4 *5 
	16:9	16:9 

\*1: If you select “Normal,” the image is projected in the same resolution as the input signal without changing the aspect ratio of the original image.



\*2: If you select “Full2,” the image is projected to fit the projected image size, regardless of the aspect ratio of the image.



\*3: If you adjust the projected image position using an image with 16:9 aspect ratio and then switch the input source to 4:3 image, the top and bottom edge of the image may be hidden. In this a case, select “Full3.”

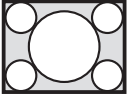
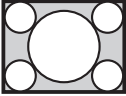
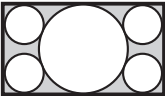
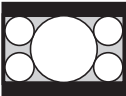
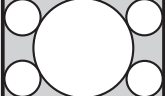
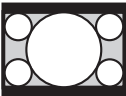
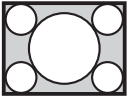
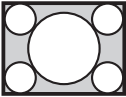
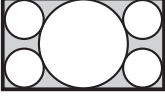



\*4: Depending on the input signal, the projected image may be projected as illustrated below. In this a case, select “16:9.”



\*5: Depending on the input signal, the image may be projected as illustrated below. In this a case, select “Zoom.”



	Input signal	Recommended setting value and projected image
Computer signal	4:3 	Full1 *1 
	16:9 	Full1 *1 *2 
	16:10 	Full1 *1 *2 
Video signal	4:3 	4:3 *3 
	16:9 	16:9 *4 

\*1: If you select “Normal,” the image is projected in the same resolution as the input signal without changing the aspect ratio of the original image.



\*2: If you select “4:3,” the image is projected to fit the projected image size, regardless of the aspect ratio of the image.



\*3: Depending on the input signal, the projected image may be projected as illustrated below. In this a case, select “16:9.”



\*4: Depending on the input signal, the projected image may be projected as illustrated below. In this a case, select “Zoom.”



# The Function Menu

The Function menu is used for setting various functions of the projector.

Items	Item descriptions
Interactive (VPL-SW636C only)	
Interactive Mode	<b>PC Free/PC Interactive/OFF(Data Export):</b> If you select “PC Free,” you can use the PC Free Interactive function. Once you select it, the PC Free Interactive toolbar will be displayed.* <sup>6</sup> If you select “PC Interactive,” you can operate the PC that is connected to the projector with the attached Interactive Pen Device as a mouse, or use Interactive Presentation Utility 2.* <sup>7</sup> * <sup>8</sup> If you do not use the Interactive function, or to export white board data (that is saved with PC Free interactive function) from the computer (connected via USB connector), select “OFF(Data Export).”** <sup>9</sup>
Calibration	<b>Auto/Manual (Main)/Manual (Sub):</b> Performs calibration for the PC Free Interactive function (page 52) and the mouse mode function (page 58). If you select “Auto”, the projector performs the calibration automatically. If you select “Manual (Main),” the calibration for the main pen will be performed manually. If you select “Manual (Sub),” the calibration for the sub pen will be performed manually.* <sup>3</sup> * <sup>4</sup> * <sup>5</sup>
Volume	The higher the value, the louder an audio volume and the lower the value, the lower the audio volume.
Mic Volume	Adjust the volume of the microphone.* <sup>2</sup>
Speaker	<b>On/Off:</b> When set to “On,” speaker outputs sound. To not output sound from the speaker, select “Off.”
Smart APA	<b>On/Off:</b> When set to “On,” APA functions automatically when a signal is input.* <sup>1</sup>
CC Display	<b>CC1/CC2/CC3/CC4/Text1/Text2/Text3/Text4:</b> Select the closed caption service (captions or text). <b>Off:</b> Closed caption does not appear.
Lamp Timer Reset	When replacing the lamp, resets the lamp timer (page 80).
Start Up Image	<b>On/Off:</b> When set to “On,” the Start Up Image is displayed on the screen when the projector is powered on.
All Reset	Resets all settings to their factory defaults.

## Notes

- \*1: APA functions when a computer signal is input via the RGB input terminal (INPUT A/INPUT B).
- \*2: The maximum available mic volume is set by the value of “Volume.”
- \*3: Before performing the calibration, the message “Do you wish to start calibration?” will be displayed. If you select “Yes”, the projector performs the calibration.
- \*4: If you already have started the Interactive Presentation Utility 2 on the computer, perform the calibration of Interactive Presentation Utility 2.
- \*5: If you display the menu or the warning/caution messages etc., are displayed during the calibration, calibration will stop. In addition, if you stop operating the calibration for more than 20 seconds, the manual calibration will also stop.

- \*6: When you display the menu while using the PC Free Interactive function, the PC Free Interactive function cannot be used for a while and the toolbars and drawing data will not be displayed. If you hide the menu, you can use the PC Free Interactive function again. If warning or notification messages etc. appear, you cannot use the PC Free Interactive function. For the settings of PC Free Interactive, see page 52.
- \*7: Images may not be projected properly depending on the operating environment or the application. Use Input-A, Input-B, or Input-C to project the images properly.
- \*8: Do not operate while the screen of the computer you are operating is not displayed when using Interactive Presentation Utility 2 or mouse mode. (The operation performed by the Interactive Pen Device is still effective even while the images from other input connectors are displayed.)
- \*9: When accessing the whiteboard data in the projector, do not remove the USB cable, or select options other than “OFF(Data Export)” in “Interactive Mode.” The files may be damaged.

# The Operation Menu

The Operation menu is used for setting for the operations by using the menu or the remote commander.

Items	Item descriptions
Language	Selects the language used in the menu and messages.
Status	<b>On:</b> All on-screen statuses are enabled. <b>Off:</b> Turns off the on-screen displays, except for menus, warning messages and messages from the message list.
Security Lock <sup>*1</sup>	<b>On/Off:</b> This function enables restriction of the projector to authorized users by password. The setting procedures for security locking are as follows: <ol style="list-style-type: none"><li>1 Select “On” and press the ENTER key to display the setting menu.</li><li>2 Input the password with the MENU, <math>\uparrow/\downarrow/\leftarrow/\rightarrow</math> and ENTER keys. (The default setting password is “ENTER, ENTER, ENTER, ENTER.”)</li><li>3 Input a new password with the MENU, <math>\uparrow/\downarrow/\leftarrow/\rightarrow</math> and ENTER keys.</li><li>4 Enter the password again to confirm.</li></ol> Enter the password when you turn on the projector after disconnecting and reconnecting the AC power cord. When it is set to “Off,” you can cancel the security lock. You are required to input the password again. If you fail to enter the correct password after three consecutive times, the projector cannot be used. In this case, press the I/⏻ key to go Standby mode then turn on the power again.
Control Key Lock	<b>On/Off:</b> When set to “On,” locks all the control panel keys of the projector. However, you can operate the following when set to “On”: <ul style="list-style-type: none"><li>• Press and hold the I/⏻ key for approximately 10 seconds during Standby mode. → The projector turns on.</li><li>• Press and hold the MENU key for approximately 10 seconds during power on. → “Control Key Lock” is set to “Off” and enables operation of all keys on the projector.</li></ul>

## Note

\*1: You will not be able to use the projector if you forget your password. If you call qualified Sony personnel because you have forgotten the password, you will be asked to verify the projector’s serial number and your identity. (This process may differ in other countries/regions.) Once your identity has been confirmed, we will provide you with the password.

# The Connection/Power Menu

The Connection/Power menu is used for setting for the connections and power.

Items	Item descriptions
LAN Settings	
IP Address Setup <sup>*9</sup>	<b>Auto (DHCP):</b> The IP address is assigned automatically from the DHCP server such as a router. <b>Manual:</b> To specify the IP Address manually.
WLAN Settings <sup>*10</sup>	
WLAN Connection <sup>*8</sup>	<b>On/Off:</b> Set the wireless output of the USB wireless LAN module (not supplied) to On/Off.
WLAN Network <sup>*14</sup>	<b>Access Pt./Client</b> <sup>*11</sup> : Changes modes for WLAN. <sup>*12</sup>
Network Presentation	
Connection CODE	<b>On/Off:</b> This is the presentation function via the network. It controls the connection using the displayed number (CODE) on the right bottom of the screen. During the image transmission, using the ENTER key on the remote commander makes Connection CODE display again.
Display Setting	
	LAN Mode Displays the LAN settings of the projector or the settings of the USB wireless LAN module that operates as a client at the bottom right of the screen. <b>Wired:</b> Displays the IP address of LAN preferentially. <b>Wireless:</b> Displays the IP address of the USB wireless LAN module preferentially.
	AP Mode Displays the SSID of the USB wireless LAN module that operates as an access point at the bottom right of the screen.
Dynamic Range <sup>*18</sup>	Sets the image input level of the INPUT C terminal. <b>Auto:</b> Distinguishes the image input level automatically. <b>Limited:</b> Set when the image input level is 16-235. <b>Full:</b> Set when the image input level is 0-255.
Input-A Signal Sel.	<b>Auto/Computer/Video GBR/Component:</b> When set to "Auto," selects the type of video signal input automatically when "Input-A" is selected. <sup>*1</sup>

Items	Item descriptions
<b>ECO</b>	
Lamp Mode	<b>High/Standard/Low/Auto</b> <sup>*5 *7 *15</sup> : When set to “High,” the image becomes brighter, and power consumption becomes higher. When set to “Low,” power consumption is minimized; however, the image will be darker. When set to “Auto,” brightness is adjusted automatically according to image content. Dark images are projected with brightness adjusted, leading to energy-saving. Bright images are projected brightly, without adjusting brightness.
Constant Brightness	<b>On/Off</b> : Available when the lamp mode is set to <b>High</b> . Outputs light at a certain brightness. <sup>*13</sup>
Auto Power Saving	
With No Input <sup>*16</sup>	<b>Lamp Cutoff</b> : The lamp turns off automatically and power consumption is reduced if no signal is input for approx. 10 minutes. The lamp lights again when a signal is input or any key is pressed. In Lamp Cutoff, the ON/STANDBY indicator lights in orange. (page 73) <b>Standby</b> <sup>*6</sup> : If no signal is input to the unit for approx. 10 minutes, the power turns off automatically, and the unit enters standby mode. <b>Off</b> : You can deactivate the With No Input.
With Static Signal <sup>*17</sup>	<b>Lamp Dimming</b> <sup>*4 *5 *7</sup> : If an image does not change for about 10 seconds, lamp output is gradually reduced (approximately 10% to 15% <sup>*3</sup> ) from that set in the Lamp Mode. Automatically the lamp slowly darkens to approximately 30% of its lamp output according to the selected time (with no change to input signal) “5,” “10,” “15,” “20” minutes or “ <b>Demo</b> .” While dimming the lamp, the message “Lamp Dimming” appears. If you select “Demo,” the image will start to darken about 40 seconds later. When any change in signal is detected, or an operation (remote control or control panel) is performed, normal brightness is restored. <b>Off</b> : You can deactivate the With Static Signal.
Standby Mode <sup>*2</sup>	<b>Standard/Low</b> : When set to “Low,” lowers power consumption in Standby mode.
Direct Power On	<b>On/Off</b> : When set to “On,” you can turn the power on without going to Standby mode when the AC power cord is connected to a wall outlet. With the projector turned off, you can also unplug the AC power cord without going to Standby mode, regardless of the Direct Power On setting. <sup>*19</sup>

### Notes

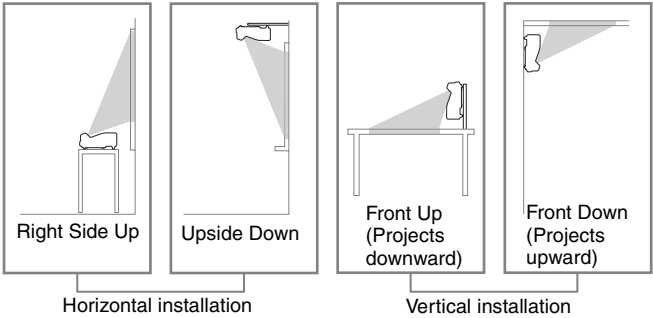
- \*1: This may not be optimum depending on the input signal. In this case set manually according to the connected equipment.
- \*2: When “Standby Mode” is set to “Low,” the network and network control function cannot be operated while the projector is in standby mode.
- \*3: This varies depending on the “Lamp Mode” setting.
- \*4: As the lamp is dimmed gradually, you may not notice any change in brightness. You might only notice that the lamp has dimmed when its brightness is restored after there is a change in input signal.
- \*5: This mode does not work for about three minutes after the lamp lights. A change in signal may not be detected depending on the input image. The lamp may become brighter at intervals during lamp dimming. However, this is not a malfunction. If With No Input is set, it takes priority.

- \*6: Select “Off” to avoid entering standby mode when there is no input signal.
- \*7: Does not function when “Type A USB”, “Type B USB” or “Network” is selected as the input. In this case, it becomes equivalent to “Standard.”
- \*8: Reflecting changes in WLAN settings may take a few moments.
- \*9: To set the IP address manually, select “Manual”, press “Apply”, then enter the IP address.
- \*10: When you send images or files from a tablet PC/smartphone and display them (page 66), set “WLAN Network” to “Access Pt.” to use the IFU-WLM3 USB wireless LAN module (not supplied) as a wireless access point.
- \*11: To change the settings for “Access Pt.,” go to the Web page.  
For details, see “Setting the WLAN Network of the projector” (page 40).  
If “Access Pt.” is set, it is more convenient that you set “Display Setting” in “Network Presentation” of the projector to “AP Mode” (page 30) in advance when you use Presentation Function via the network (page 59).
- \*12: For changing the settings for “Client,” use the Web browser for change. For details, see “Setting the WLAN Network of the projector” (page 40).
- \*13: Constant Brightness mode will be enabled for about 2,000 hours after it is activated at early usage. After this period, it will be disabled automatically. Activated time and brightness may vary depending on the usage conditions.
- \*14: If the projector cannot connect wirelessly, click [Apply] once again to make sure the connection is established. For details, see “Setting the WLAN Network of the projector” (page 40).
- \*15: This mode does not function while “Interactive Mode” is set to “PC Free” (VPL-SW636C only). In this case, “Lamp Mode” becomes equivalent to “Standard” (page 35).
- \*16: This mode does not function while “Interactive Mode” is set to “PC Free” (VPL-SW636C only). In this case, “With No Input” will be “Off” (page 35).
- \*17: This mode does not function while “Interactive Mode” is set to “PC Free” (VPL-SW636C only). In this case, “With Static Signal” will be “Off” (page 35).
- \*18: If the image output settings of the HDMI device are not appropriate, the bright parts in the image may become too bright, or the dark ones may become too dark.
- \*19: Do not turn off the projector soon after the lamp lights. It may cause a malfunction of the lamp (does not light ,etc.).



# The Installation Menu

The Installation menu is used for installing the projector.

Items	Item descriptions
Image Flip	<b>HV/H/V/Off:</b> Flips the projected image horizontally or vertically according to the installation method.*5
Installation Attitude	<b>Right Side Up/Upside Down/Front Up/Front Down/Link to Image Flip:</b> Change the cooling setting to suit to the installation attitude. When set to “Link to Image Flip,” the cooling setting changes based on the setting of “Image Flip.”*1 Continuing to use the wrong setting may affect component reliability.
	
High Altitude Mode*2	<b>On/Off:</b> Set to “On” when using the projector at an altitude of 1,500 m or higher. Continuing to use the wrong setting may affect component reliability.
V Keystone*3 *4	The higher the value, the narrower the top of the projected image. The lower the value, the narrower the bottom.
Rid. digitale*6 *7	Shrinks or adjusts the size of the projected image (Digital Shrink). <b>Rid. digitale:</b> Adjusts the size of the projected image. If you set the value to “0”, the image is set to the original size. The shrinking rate is 100% to 90%. <b>Shift:</b> Adjusts the position of the projected image. The adjustable range varies from the shrinking rate.

## Notes

- \*1: Select “Link to Image Flip” only for horizontal installation. Be sure to select “Front Up” or “Front Down” for vertical installation, according to the installation direction of the projector. (Refer to the figures.)
- \*2: When “High Altitude Mode” is set to “On,” the speed of the fan increases, and the fan noise becomes slightly louder.
- \*3: Since the Keystone adjustment is an electronic correction, the image may be deteriorated.
- \*4: For VPL-SW636C, if you perform keystone adjustment and use mouse mode, the position of the Interactive Pen Device and the cursor may not match. In this case, perform calibration, again.
- \*5: If you select “H” or “V,” the Interactive function is not available.
- \*6: Since Digital Shrink uses electronic correction, the image may deteriorate.
- \*7: If you press the ENTER button while adjusting with Digital Shrink, the projector switches to the shift adjustment.

## **i** The Information Menu

The Information menu is used to check projector status, such as total usage time of the lamp.



<b>Items</b>	<b>Item descriptions</b>
Model Name	Displays the model name.
Serial No.	Displays the serial number.
fH/fV <sup>*1</sup>	Displays the horizontal/vertical frequency of the current input signal.
Signal Type	Displays the type of the current input signal.
Lamp Timer	Indicates the total usage time of a lamp.

### **Note**



\*1: These items may not be displayed depending on the input signal.

# Notes When Using PC Free Interactive Function (VPL-SW636C only)

When using the PC Free Interactive function, the items of the Picture menu and the Screen menu work to the background images from the external devices. However, they do not work to the drawing data with Interactive Pen Device or the whiteboard mode. For details, see the list below.

Items		Enabled, or disabled for the drawing data and the whiteboard mode	
 Picture menu (page 22)	Picture Mode		Disabled
	Reset		Disabled
	Contrast		Disabled
	Brightness		Disabled
	Color		Disabled
	Hue		Disabled
	Color Temp.		Enabled
	Sharpness		Disabled
	Expert Setting	Gamma Mode	Disabled
 Screen menu (page 23)	Aspect		Disabled
	Adjust Signal	APA	Disabled
		Phase	Disabled
		Pitch	Disabled
		Shift	Disabled

When “Interactive Mode” is set to “PC Free,” the functions of the items listed below are also limited.

Items		Descriptions	
 Connection/ Power menu (page 30)	ECO	Lamp Mode	When you select “Auto,” the effectiveness of it becomes equivalent to “Standard.”
	Auto Power Saving	With No Input	Even when you select an option other than “Off,” the effectiveness becomes equivalent to “Off.”
		With Static Signal	
 Installation Menu (page 33)	Digital Shrink		Disabled for PC Free Interactive or mouse mode.

# Using Network Features

Connection to the network allows you to operate the following features:

- Checking the current status of the projector via a Web browser.
- Remotely controlling the projector via a Web browser.
- Receiving the e-mail report via the projector.
- Making the network settings for the projector.
- Displaying messages on the projected image using an application.
- Supports network monitoring, control protocol (Advertisement, PJ Talk, PJ Link, AMX DDDP [Dynamic Device Discovery Protocol], Crestron RoomView).

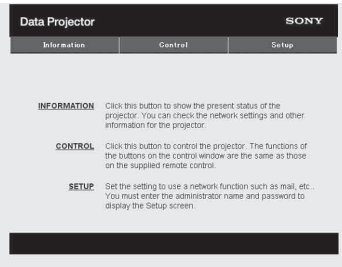
## Notes

- When connecting this projector with the network, consult with the network administrator. The network must be secured.
- The content communicated via a wireless LAN communication may be intercepted due to the use of radio waves. To protect the communication content, implement security measures properly according to the connection environment (page 40).
- When using this projector connected with the network, access the Control window via a Web browser and change the access limitation of the factory preset values (page 37). It is recommended to change the password regularly.
- When the setting on the Web browser is completed, close the Web browser to log out.
- The menu displays used for the explanation below may be different depending on the model you are using.
- Supported Web browsers are Internet Explorer 8/9/10/11.
- The menu displays only in English.
- If the browser of your computer is set to [Use a proxy server] when you access to the projector from your computer, click the check mark to set accessing without using a proxy server.
- To display messages, specific application Projector Station for Network Control (Version 1.1 or later) is necessary. For download or detailed method of using Projector Station for Network Control, please access the following URL.  
<http://pro.sony.com/bbsc/ssr/cat-projectors/resource.downloads>  
Contact your local Sony dealer for detailed information of Projector Station for Network Control.

## Displaying the Control Window of the Projector with a Web Browser

- 1** Connect the LAN cable (page 10).
- 2** Set the network settings for the projector using “LAN Settings” on the Connection/Power menu (page 30).
- 3** Start a web browser on the computer, enter the following in the address field, then press the Enter key on your computer.  
`http://xxx.xxx.xxx.xxx`  
(xxx.xxx.xxx.xxx: IP address for the projector)  
You can confirm the IP address of the projector in the “LAN Settings” on the Connection/Power menu (page 30).

The following window appears in the Web browser:



Once you make the network settings, you can open the Control window only by performing step 3 of this procedure.

## How to operate the Control window

### Switching the page

Click one of the Page Switching buttons to display the desired setting page.



Page Switching buttons

### Setting the access limitation

You can limit a user for accessing any particular page.

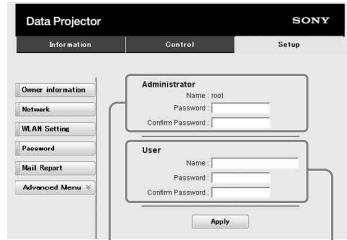
**Administrator:** Allowed access to all pages

**User:** Allowed access to all pages except the Setup page

Set the access limitation from [Password] of the Setup page.

When you access the Setup page for the first time, enter “root” in the Name box and enter “Projector” in the Password box of User.

The Name box of the Administrator is preset to “root.”



Entry area for [Administrator]

Entry area for [User]

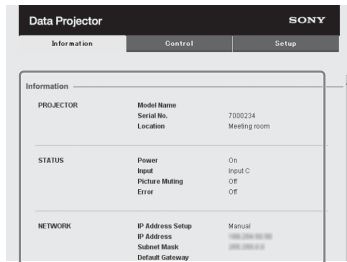
When you change the password, input a new password after deleting the password (\*\*\*\*\*) that was set.

### Note

If you forget your password, consult with qualified Sony personnel.

## Confirming the Information regarding the Projector

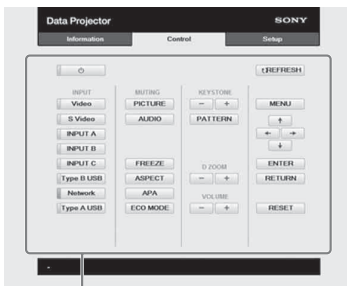
You can confirm the current settings for the projector on the Information page.



Information area

## Operating the Projector from a Computer

You can control the projector from the computer on the Control page.



Operation area

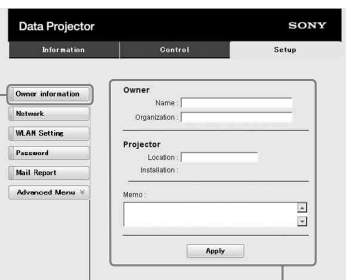
The functions of the buttons shown in the operation area are the same as the keys on the remote commander.

## Using the e-mail report function

Set the e-mail report function on the Setup page.

Entered values will not be applied unless you click on [Apply].

- 1 Click on [Owner information] to enter the owner information recorded in the e-mail report.



Owner information button

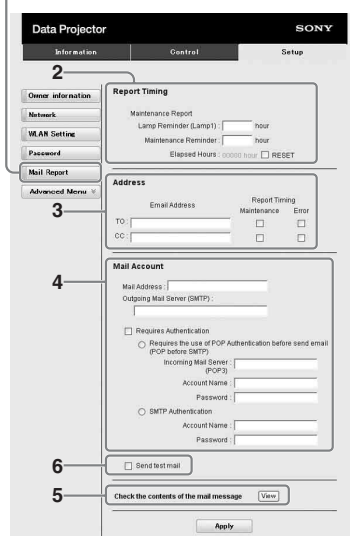
1

- 2 Set the timing of the e-mail report. Click on [Mail Report] to open the Mail Report page.

**Lamp Reminder (Lamp1):** Set the timing of the email report for lamp replacement. To reset Lamp Reminder, execute “Lamp Timer Reset” on the projector (page 27).

**Maintenance Reminder:** Set the timing of the email report for maintenance. To reset Maintenance Reminder, check the RESET check box and then click on [Apply].

Mail Report button



- 3 Enter the outgoing e-mail address in the Email Address box then check the Report Timing check box of the e-mail report to be sent.

- 4 Set the mail account for sending e-mail reports.

**Mail Address:** Enter the e-mail address.  
**Outgoing Mail Server (SMTP):** Enter the address of outgoing mail server (SMTP).

**Required Authentication:** Check this check box if authentication is required for sending e-mail.

## Requires the use of POP

**Authentication before sending email (POP before SMTP):** Check this check box to arrange for POP authentication to be performed before sending e-mail.

**Incoming Mail Server (POP3):** Enter the address of the incoming-mail server (POP3) to be used for POP authentication.

**Account Name:** Enter the mail account name.

**Password:** Enter the password.

**SMTP Authentication:** Check this check box to arrange for SMTP authentication to be performed before sending e-mail.

**Account Name:** Enter the mail account name.

**Password:** Enter the password.

**5** Confirm the contents of the e-mail report.

When you click on [View], the contents of the e-mail report are displayed.

**6** Send the test mail.

Check on the Send test mail check box then click on [Apply] to send your test mail to the e-mail address you set.

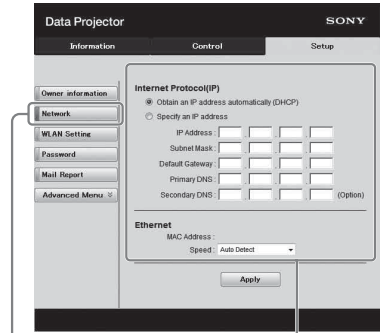
### Notes

- The email report function will not work if the network uses Outbound Port25 blocking, which prevents access to the SMTP server.
- You cannot use the following characters to enter the characters in the text box: “'”, ““”, “\”, “&”, “<”, “>”

## Setting the LAN Network of the projector

Set the LAN network function on the Setup page. Entered values will not be applied unless you click on [Apply].

**1** Click on [Network] to open the Network page.



Network button

LAN Network setting area

**2** Set the items for internet protocol.

### Obtain an IP address automatically:

Automatically provides the network settings by a DHCP server function, such as the router. The IP Address, Subnet Mask, Default Gateway, Primary DNS, and Secondary DNS display the values provided by a DHCP server.

**Specify an IP address:** Set the network manually.

**-IP Address:** Input the IP address of the projector.

**-Subnet Mask:** Input the subnet mask of the projector.

**-Default Gateway:** Input the default gateway of the projector.

**-Primary DNS:** Input the primary DNS server of the projector.

**-Secondary DNS:** Input the secondary DNS server of the projector.

**3** Set the items for Ethernet.

**MAC Address:** Displays the MAC address of the projector.

**Speed:** Select the network speed of the projector.

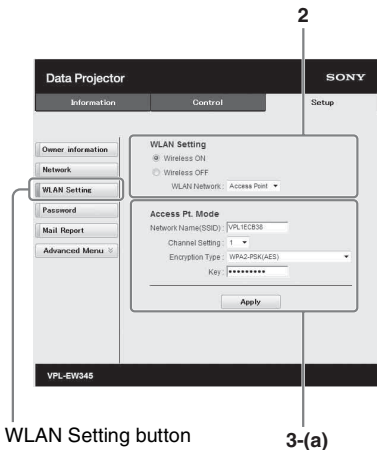
## Setting the WLAN Network of the projector

Set the WLAN network function on the Setup page.

Entered values will not be applied unless you click on [Apply].

To use the wireless LAN network, a USB wireless LAN module IFU-WLM3 (not supplied) is necessary.

- 1 Click the [WLAN Setting] to open the WLAN Setting page.



- 2 Enable or disable the radio wave output of USB wireless LAN module.

**Wireless ON:** Enables radio wave output of USB wireless LAN module.

**Wireless OFF:** Disables radio wave output of USB wireless LAN module.

**WLAN Network:** Set the modes for USB wireless LAN module.

Items	Descriptions
Access Point	Activates USB wireless LAN module as an access point. Set the items for WLAN manually.
Client	Activates USB wireless LAN module as a client.

- 3 (a) Input the settings for Access Point Mode.

When the USB wireless LAN module is activated as an access point, set the items for the access point.

**Network Name (SSID):** Input the SSID of the access point if “WLAN Network” is set to “Access Point” (page 40).

The factory setting is “VPL + the MAC address of the LAN.”

**Channel Setting:** Select the channel of the access point if “WLAN Network” is set to “Access Point” (page 40).

**Encryption Type:** Select the security method of the access point from the followings if “WLAN Network” is set to “Access Point” (page 40).

Encryption Type	Descriptions
Open	Sets the security method of the access point to open system authentication.
WEP 64bit	Sets the security method of the access point to WEP (64bit).
WEP 128bit	Sets the security method of the access point to WEP (128bit).
MIX (WPA-PSK/WPA2-PSK (TKIP/AES))	Sets the security method of the access point to MIX. (corresponding to both WPA-PSK (TKIP/AES) and WPA2-PSK (AES) security methods).
WPA2-PSK(AES)	Sets the security method of the access point to WPA2-PSK (AES).

**Key:** Input the password for security method of the access point according to the selected encryption type as below;

Encryption Type	Password
Open	The password cannot be input.
WEP 64bit	Input 5 ASCII characters for a password.
WEP 128bit	Input 13 ASCII characters for a password.



Encryption Type	Password
MIX (WPA-PSK/WPA2-PSK (TKIP/AES)) or WPA2-PSK (AES)	Input 8-63 ASCII characters for a password.

The factory setting of the security method and its password are set as follows.

Security method: WEP 64bit

Password: sony1

### (b) Input the settings for Client Mode.

When the USB wireless LAN module is activated as a client, set the items for the client (set the items for the access point the projector tries to connect to).



3-(b)

**Connection Status:** Displays the connecting status between the access point and projector.

**SSID:** Input the SSID of access point the projector tries to connect to.

**Encryption Type:** Select the security method of access point the projector tries to connect to from the following list.

Encryption Type	Descriptions
Open	Sets the security method of the access point to open system authentication.
WEP 64bit	Sets the security method of the access point to WEP (64bit).
WEP 128bit	Sets the security method of the access point to WEP (128bit).
MIX (WPA-PSK/WPA2-PSK (TKIP/AES))	Sets the security method of the access point to MIX. (corresponding to both WPA-PSK (TKIP/AES) and WPA2-PSK (AES) security methods).
WPA2-PSK (AES)	Sets the security method of the access point to WPA2-PSK (AES).

**Key:** Input the password for security method of the access point according to the selected encryption type as below;

Encryption Type	Password
Open	The password cannot be input.
WEP 64bit	Input 5 ASCII characters for a password.
WEP 128bit	Input 13 ASCII characters for a password.
MIX (WPA-PSK/WPA2-PSK (TKIP/AES)) or WPA2-PSK (AES)	Input 8-63 ASCII characters for a password.

### Obtain an IP address automatically:

Automatically provides the network settings by a DHCP server function, such as the router. The IP Address, Subnet Mask, Default Gateway, Primary DNS, and Secondary DNS display the values provided by a DHCP server.

**Specify an IP address:** Set the network manually.

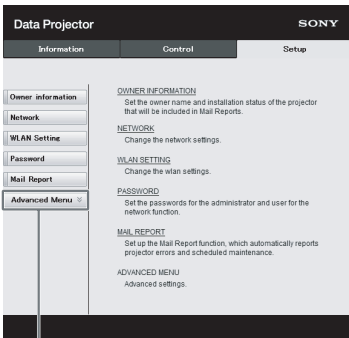
**-IP Address:** Input the IP address of the projector.

- Subnet Mask:** Input the subnet mask of the projector.
  - Default Gateway:** Input the default gateway of the projector.
  - Primary DNS:** Input the primary DNS server of the projector.
  - Secondary DNS:** Input the secondary DNS server of the projector.
- MAC Address:** Displays the MAC address for USB wireless LAN module.

## Setting the Custom Labels for the Input Terminals of the Projector

Change the label names for the input terminals that will be displayed on the projected screen on the Setup page. The entered label names will not be applied unless you click on [Apply].

- 1 Click on [Advanced Menu] to open the Setup page.

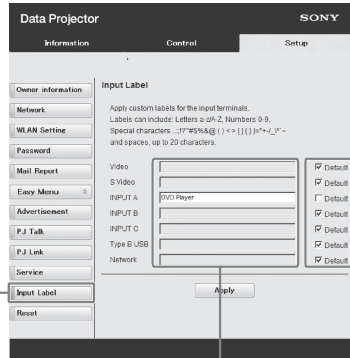


Advanced Menu button

- 2 Click on [Input Label] and open the Input label setting window. Clear the check box for the label that you want to change and input the label name. You can input up to 20 of the following letters.

Alphabets: "a" to "z", "A" to "Z"  
Numbers: "0" to "9"

Characters: ".", ",", ":", ";", "!", "?", "!", ":", "#", "\$", "%", "&", "@", "(", ")", "<", ">", "[", "]", "{", "}", "!", "=", "\*", "+", "-", "/", "\_", "\\", "^", "!", "~", "space"



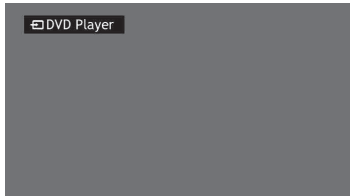
Input Label button

Label name for the input terminal

Use the factory default setting

- 3 Click on [Apply] to apply the set label names.

The label name will be reflected on the screen when the input of the projector is changed.

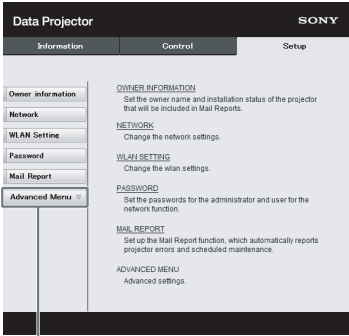


Input Terminal Label Display Screen

## Setting the Control Protocol of the Projector

Change the settings for the control protocol on the Setup page. Entered values will not be applied unless you click on [Apply].

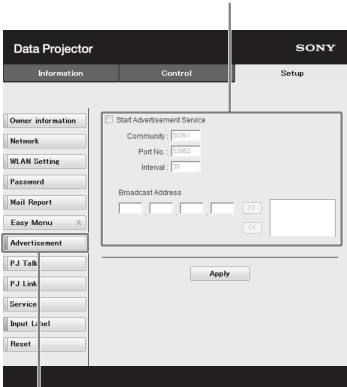
**1 Click on [Advanced Menu] to display the buttons for more settings.**



Advanced Menu button

**2 (a)Set Advertisement.**

Advertisement Service setting area



Advertisement button

**Start Advertisement Service:**  
Set Advertisement to enabled or disabled. Items for Advertisement are enabled only when this function is enabled. The function is disabled at the factory default.

**-Community:**

Input the community name for Advertisement and PJ Talk. If the community name for Advertisement is changed, the one for PJ Talk will also be changed. Only four alphanumeric characters can be input. The factory

default setting is “SONY.” It is recommended that the community name be changed from the factory setting to avoid unnecessary access to the projector from other computers.

**-Port No.:**

Input the transmit port of Advertisement. The factory default setting is “53862.”

**-Interval:**

Input the transmission interval (seconds) of Advertisement. The factory default setting is “30.”

**-Broadcast Address:**

Input the destination of data via Advertisement. If nothing is input, the data will be broadcast in the same subnetwork.

**(b)Set PJ Talk.**

PJ Talk Service setting area



Network

PJ Talk button

**Start PJ Talk Service:**

Set PJ Talk to enabled or disabled. Items for PJ Talk are enabled only when this function is enabled. The function is disabled at the factory default.

**-Community:**

Input the community name of Advertisement and PJ Talk. If the community name for PJ Talk is changed, the one for Advertisement will also be changed. Only four alphanumeric characters can be input. The factory default setting is “SONY.” It is recommended that the community name

be changed from the factory setting to avoid unnecessary access to the projector from other computers.

**-Port No.:**

Input the server port of PJ Talk. The factory default setting is “53484.”

**-Timeout:**

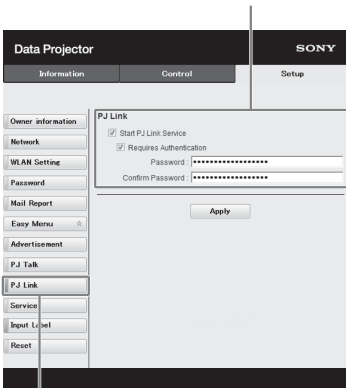
Input the time until PJ Talk communication is terminated in the case that it is disconnected. The factory default setting is “30.”

**-Host Address:**

Input the IP address that the PJ Talk server is allowed to receive. If no IP address is input, receiving commands will be allowed from any IP address. From the moment the IP address is input, access will be allowed only from that input IP address. For security reasons, it is recommended to input an IP address to restrict access.

**(c)Set PJ Link.**

PJ Link Service setting area



PJ Link button

**Start PJ Link Service:**

Set PJ Link to enabled or disabled. Items for PJ Link are enabled only when this function is enabled. This function is disabled at the factory setting.

**-Requires Authentication:**

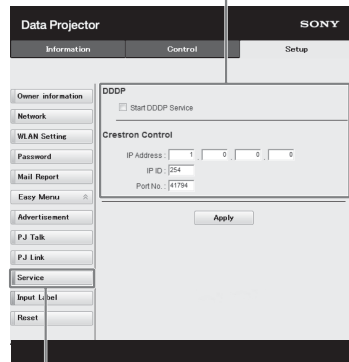
Set the authentication for PJ Link to enabled or disabled.

**-Password:**

Input the authentication password for PJ Link. For the factory default password, refer to the PJ Link specifications.

**(d)Set the system service.**

System service setting area



Service button

**Start DDDP Service:**

Set DDDP to enabled or disabled. For details, refer to the DDDP specifications in the reference from AMX Corporation. The function is disabled at the factory default.

**Crestron Control:**

For details, refer to the specifications in product catalogues, etc., from Crestron Corporation.

**-IP Address:**

Input the Crestron system server.

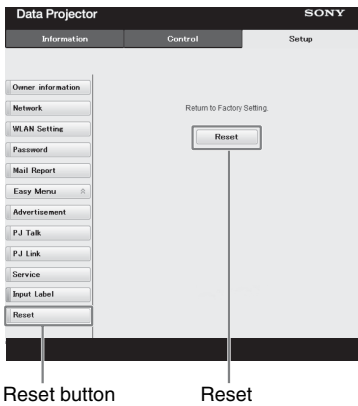
**-IP ID:**

Input the IP ID for the CIP protocol.

**-Port No.:**

Input the port number for the CIP protocol server.

**(e)Reset the network settings.**

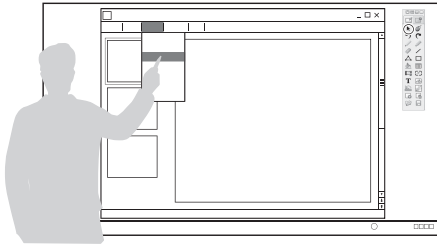


**Reset:**  
Reset all Web browser settings to their factory defaults.

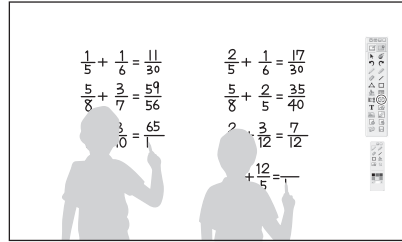
# Using Interactive Presentation Utility 2 (VPL-SW636C/SW631C only)

Using the mouse function of the Interactive Pen Device (main only), you can control a computer and applications on the projected screen just like a mouse. Also when employing the drawing function of a different application, you can use the Interactive Pen Device to directly draw onto the projected file, and save the drawings.

Desktop mode



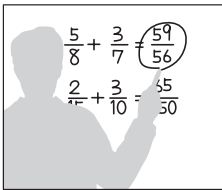
Whiteboard mode



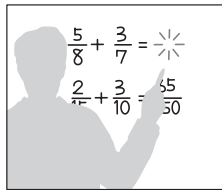
## How to operate the mouse function of the Interactive Pen Device (main only)

- Left-click: tap the screen with the tip of the Interactive Pen Device.
- Double-click: tap the screen twice with the tip of the Interactive Pen Device.
- Drag and drop: move the Interactive Pen Device while touching the screen.

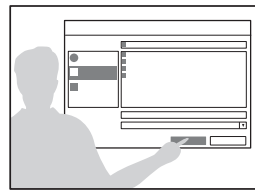
By starting Interactive Presentation Utility 2, you can use the Interactive Pen Device to draw lines and shapes on the projected screen. In the whiteboard mode, the projected screen can be used as an electronic whiteboard and you can select the background image from your photo library or the template.



draw



Erase



Save

By using both the main and sub Interactive Pen Device, two people can draw on the projected screen simultaneously. The main device can use all the functions, whereas the sub device can use only the drawing function.

Use of these functions requires installation of Interactive Presentation Utility 2. For Interactive Presentation Utility 2 software update, visit Sony's web site.

<https://www.servicesplus.sel.sony.com/>

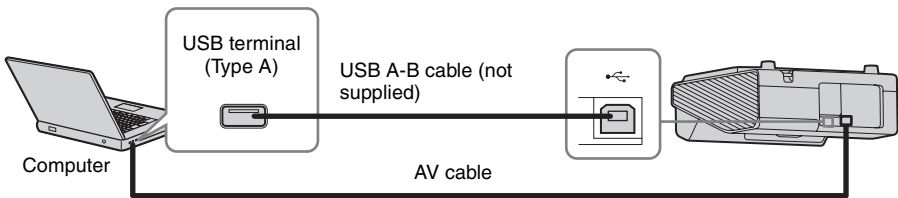
<http://pro.sony.eu/InteractiveUtility>

## Notes

- The interactive function works by a detector in the projector, which picks up infrared rays emitted from the tip of the Interactive Pen Device. Observe the precautions noted below.
  - Avoid placing the projector where the Interactive Pen detector is directly exposed to fluorescent light or other strong light.
  - Do not cover the pen tip of the Interactive Pen Device or the Interactive Pen detector.
  - Infrared data communication or noise from another device may cause improper operation.
- Observe the precautions noted below during the calibration.
  - Avoid placing obstacles between the interactive detector and the screen.
  - Do not move the projector and the screen.
- If Calibration Auto does not calibrate properly, try the following methods.
  - Shield the screen from strong, direct outside light.
  - Reduce the ambient light while Calibration Auto is performed.
  - If Calibration (Auto) still does not calibrate properly after reducing the lighting as suggested above, click Calibration (Manual(Main)) or Calibration (Manual(Sub)), then calibrate manually.
  - If you use a screen which is not white, Calibration Auto may be inaccurate.
- The maximum screen size at which the Interactive function works is 100 inches.
- Images may not be projected properly depending on the operating environment or the application. Use Input-A, Input-B, or Input-C to project the images properly.

## Connecting a Computer with a USB Cable

Make sure the computer and projector are connected with an AV cable. For details on connecting the AV cables, see “Connecting the Projector” (page 9).



## For Windows

### Installing Interactive Presentation Utility 2

#### System Requirements

- CPU: Celeron 2.1GHz or faster
- Memory: 256MB or more (512MB recommend)
- Available hard drive space: 1GB or more
- OS:
  - Windows XP/Vista/Windows 7\*<sup>1</sup>/Windows 8\*<sup>1</sup>
  - \*1: 32bit edition and 64bit edition

- 1** Close all running applications.
- 2** Insert the supplied CD-ROM into the CD-ROM drive of the computer. Open the CD-ROM and double-click “Interactive Presentation Utility 2.exe”.

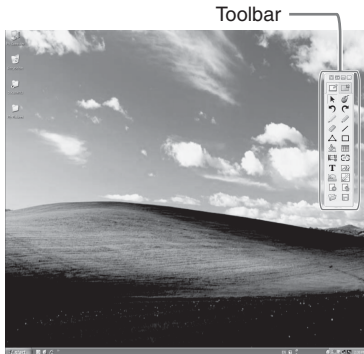
- 3 Follow the on-screen instructions to install the software.  
To uninstall Interactive Presentation Utility 2, click [Start]-[All Programs]-[Interactive Presentation Utility 2]-[Uninstall].

---

## Setting Interactive Presentation Utility 2

- 1 Connect the projector and computer with the AV cable and USB cable (page 47), and project the image with the projector.  
For details on connecting the AV cable (Mini D-sub 15-pin cable or HDMI cable) for image signals (VGA), see page 9.
- 2 Set “Interactive Mode” to “PC Interactive” in “Interactive.” (VPL-SW636C only)
- 3 Start Interactive Presentation Utility 2.  
To start Interactive Presentation Utility 2, click [Start]-[All Programs]-[Interactive Presentation Utility 2]-[Interactive Presentation Utility 2].

After the application starts, the icon appears in the taskbar, and the toolbar appears on the screen.



### Taskbar

Projector connected to computer.



Projector not connected to computer.





---

## Calibration Auto/Manual

Calibration aligns the points where the pen (Main and Sub) is pointing and where the projector displays the cursor on the screen. “Calibration Auto” allows you to execute the calibration automatically.

### Main Pen toolbar



- ❶ Calibration (Auto)
- ❷ Calibration (Manual (Main))
- ❸ Calibration (Manual (Sub))
- ❹ Saving calibration data

Click “Calibration” to select “Calibration (Auto).” The calibration starts automatically.

---

## Operating with the Interactive Pen Device

With the Interactive Pen Device, you can use the functions of the toolbar on the screen. See “User’s Guide of Interactive Presentation Utility 2” for details.

---

## Closing Interactive Presentation Utility 2

Click the icon in the Taskbar to display the pop-up menu, then select [Exit].

---

### Installing Interactive Presentation Utility 2

#### System Requirements

- CPU: Pentium III or faster
- Memory: 256MB or more (512MB Recommend)
- Available hard drive space: 250MB
- OS: Mac OS X 10.6.x/10.7.x/10.8.x/10.9.x/10.10.x

Use of the interactive function requires installation of Interactive Presentation Utility 2.

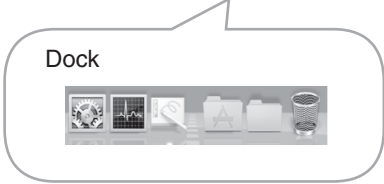
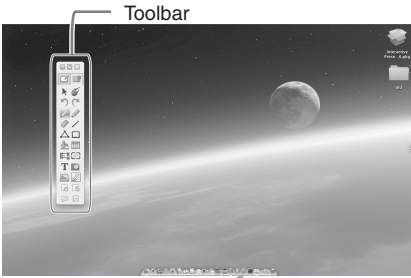
- 1** Close all running applications.
- 2** In the CD-ROM, double-click [Interactive Presentation Utility 2.pkg].
- 3** Follow the on-screen instructions to install the software.  
To uninstall Interactive Presentation Utility 2, from the Application folder move the [Interactive Presentation Utility 2] folder into the Trash, then empty it.

---

### Setting Interactive Presentation Utility 2

- 1** Connect the projector and computer with the AV cable and USB cable (page 47), and project the image with the projector.  
For details on connecting the AV cable (Mini D-sub 15-pin cable or HDMI cable) for image signals (VGA), see page 9.
- 2** Set “Interactive Mode” to “PC Interactive” in “Interactive.” (VPL-SW636C only)
- 3** Start Interactive Presentation Utility 2.  
Open the folder [Application] - [Interactive Presentation Utility 2] and double-click [Interactive Presentation Utility 2.app].

After application starts, each icon appears in the Dock and the toolbar appears on the screen.



Icon for Interactive Presentation Utility 2

## Calibration Auto/Manual

Calibration aligns the points where the pen (Main and Sub) is pointing and where the projector displays the cursor on the screen. “Calibration Auto” allows you to execute the calibration automatically.

### Main Pen toolbar



- ❶ Calibration (Auto)
- ❷ Calibration (Manual (Main))
- ❸ Calibration (Manual (Sub))
- ❹ Saving calibration data

Click “Calibration” to select “Calibration (Auto).” The calibration starts automatically.

## Operating with the Interactive Pen Device

With the Interactive Pen Device, you can use the functions of the toolbar on the screen. See “User’s Guide of Interactive Presentation Utility 2” for details.

## Closing Interactive Presentation Utility 2

Click the icon in the Dock to display the pop-up menu, then select [Exit].

# Using the PC Free Interactive Function (VPL-SW636C only)

The PC Free Interactive function enables you to draw on the screen with the Interactive Pen Device with only the projector. The data you draw in the whiteboard mode can be saved in the projector. In the desktop mode, you can draw with the Interactive Pen Device, using an image from the external device as a background.

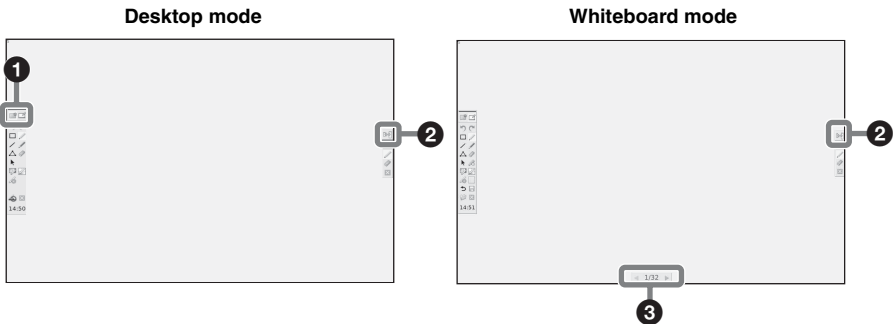
## Setting the PC Free Interactive Function

- 1 Set “Interactive Mode” to “PC Free” in “Interactive” (page 27).
- 2 Perform calibration.  
Perform with “Calibration” in “Interactive” (page 27) or the toolbar (page 53).

### Notes

- For notes regarding usage of the Interactive Pen Device and performing calibration, see page 53.
- The PC Free Interactive function cannot be used under the following conditions even though “Interactive Mode” is set to “PC Free” in “Interactive.”
  - When you display the menu
  - When the warning, notification, or other messages are displayed
- The maximum screen size at which the Interactive function works is 100 inches.

## Toolbars and icons



### 1 Switching Desktop mode/Whiteboard mode

Click the icon to switch the desktop mode and whiteboard mode.

### 2 Hopping tool

The arrow for switching the main pen and sub pen toolbar is displayed on the opposite side of the main pen toolbar. If you click this arrow, the main pen and sub pen toolbars move to the opposite side. You can easily operate the toolbars on the big screen using this function.

### 3 Go to the next page

Skips to the previous or the next page. You can skip up to 32 pages.

## Dual-user (Dual pen)

### Main Pen toolbar



- The main pen toolbar is displayed when the PC Free Interactive function is activated.
- Usable tools are different between desktop mode and whiteboard mode. The icons of the unavailable tools are not displayed.

#### Note

This is for the main pen only.

### Sub Pen toolbar







- The sub pen toolbar is displayed when the PC Free Interactive function is activated.

#### Note

This is for the sub pen only.

## Calibration Auto/Manual

Calibration aligns the points where the pen (Main and Sub) is pointing and where the projector displays the cursor on the screen. “Calibration (Auto) ” allows you to perform the calibration automatically. If you select “Calibration (Manual (Main)) ” or “Calibration (Manual (Sub)) ”, you can perform the calibration manually. If you display the menu or the warning/caution messages etc., are displayed during the calibration, calibration will stop. In addition, if you stop operating the calibration for more than 20 seconds, the manual calibration will also stop. If the calibration fails,  will be displayed on the calibration icon. In this case, perform manual adjustment as needed.

#### Notes

Observe the precautions noted below during the “Calibration (Auto)”.

- Avoid placing obstacles between the interactive detector and the screen.
- Do not move the projector and the screen. If “Calibration (Auto)” does not calibrate properly, try the following methods.
- Shield the screen from strong, direct outside light.
- Reduce the ambient light while “Calibration (Auto)” is performed.
- If “Calibration (Auto)” does not work properly even though the ambient light is reduced a little, select “Calibration (Manual (Main))” or “Calibration (Manual (Sub))” to make adjustments manually.
- If you use a screen which is not white, “Calibration(Auto)” may be inaccurate.

## Pen tracking speed adjustment

Tracking speed of the Interactive Pen Device can be adjusted. If you are concerned about shakes in drawn lines, set it toward “Slow”. However, setting toward “Slow” results in a slow response when you draw fast. If you set “Auto,” the pen tracking speed is automatically adjusted according to the drawing speed.



## Pen detection sensitivity adjustment

If you are using the Interactive Pen Device in too bright a room, the pen position may not be detected accurately and may cause drawing errors. This function adjusts the pen detection sensitivity to optimize the system to the brightness of the room.

While using the Interactive Pen Device, the pen may not be able to draw or the lines may cut intermittently under the following conditions. In this case, click this button to improve the symptoms.

- A bright light is used or there is sunlight and the entire environment is bright.
- The screen is directly exposed to a bright light or sunlight.

### Note

During adjustment, the picture will turn black. Please wait a while.

## Management Tools

### Save (whiteboard mode only)

Saves the drawings as PNG files. The file is named based on the page number of the whiteboard mode and the time displayed on the clock on the main pen toolbar.



pXX\_YYMMDDHHMMSS.png  
 page year month day hour minute second

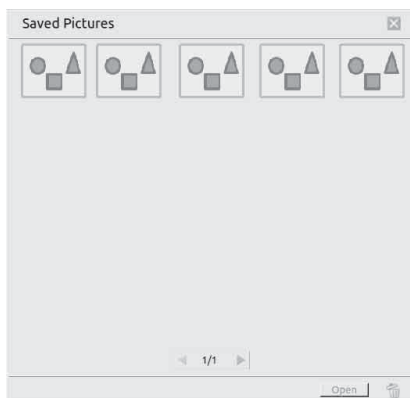
### Notes


- If the capacity of the projector is 500KB or less, the save button turns gray and is disabled. Delete unnecessary files from the projector (page 57).
- You cannot save the annotation that is added on the screen in desktop mode.
- If you turn off the projector during drawing, the whiteboard data will not be saved and disappear. Save necessary data before you turn off the projector.

## Display/delete files (whiteboard mode only)

Displays/deletes the selected file.

If you click the folder icon , the image data that is saved in the projector will be displayed in the list. You can select the files to display or delete. Click the Apply button to display the files. To delete the files (you can also select multiple files), click . Click “Yes” in the confirmation dialogue box to delete the files.



Select the file that you want to delete (you can also select multiple files), then click  to open the confirmation dialogue box. Click “Yes” to delete the file.

### Notes

- If the file is opened, only the opened file will be displayed on the page.
- You can only use alphanumeric characters for the file name. If other characters than alphanumeric characters is input for the file name, the file name will not be displayed on the Saved Pictures window. (Then, a warning message will be displayed.)

## Restore to the saved data (whiteboard mode only)

Restores the drawing data to the data that was saved the last time. If you click the icon, the confirmation dialog box will appear. Click “Yes.”

## Hide drawings (desktop mode only)

Hides the drawing data and toolbars. You cannot draw while it is hidden.

## Close


Hides the toolbars. You can draw while it is hidden.

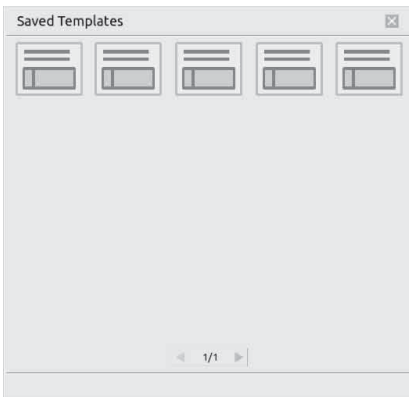
## Display toolbar

If the toolbar is hidden and you click this icon, the toolbar will be displayed. When the drawings are hidden and you click this icon, the drawings will be displayed.

---

## Select Template (whiteboard mode only)

Changes the whiteboard mode background. There are eight default templates. If you click the template folder icon , the saved templates will be displayed in the list. Click the image template to set as a background. To add the templates, see “Add/delete template images to/from the projector” (page 57).



### Notes

- The files displayed in the Saved Templates window are the images that are saved in the template folder of the projector.
- You can only use alphanumeric characters for the template file name. If characters other than alphanumeric characters are input for the file name, the file name will not be displayed on the Saved Templates window. (Then, a warning message will be displayed.)




---

## Drawing Tools

### Undo, Redo

If you click the redo icon, you can restore to the status before you performed the operation. If you click the undo icon, the previous status can be restored. You can restore the status up to 3 operations back.

### Freehand Drawing Tools

You can write phrases and draw pictures. Freehand Drawing Tools include Pencil 1 , Pencil 2  and Magic Pen . Objects drawn by Magic Pen will fade out in 8 seconds.

### Notes

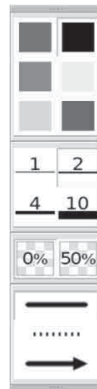
- The maximum length of the line you can draw with the pen is 2,560 dots (equivalent to the length of a line drawn twice in crosscuts on the screen)
- If you draw many dots and lines, it will gradually be harder to draw.
- You can use the magic pen when in whiteboard mode only.

### Color, Thickness, Transparency, Style

Click the icons for color, thickness, transparency, and style to set.

### Notes

- You cannot select the transparency with the magic pen.
- When in whiteboard mode, you cannot select the transparency.



## Shapes □

14 kinds of shapes are provided. You can select shapes from the “Shapes” tool.

## Color, Thickness, Transparency, Shapes

Click the icons for color, thickness, transparency, and shapes to set.



### Note

When in desktop mode, you cannot select the transparency.

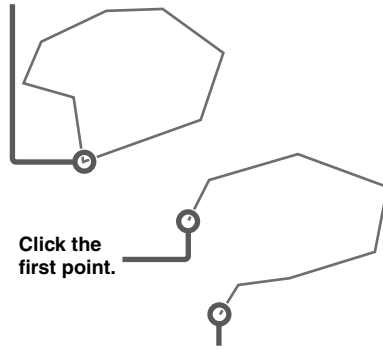
## Line /

Draws a line. Click the icons for color, thickness, and style to set.

## Point to Point △

This tool allows you to create a Polygon or a Polyline. To create a polygon or a polyline, click the icon, and click different points to create a polygon or polyline. Double-click the last point to end the polygon or polyline. You can also overlap the last point with the first one to make a shape. All the points can be removed. Point to Point tool can also be customized.

## Overlap the last point to the first point.



Double click the last point.

## Eraser ✎

Two erasing methods are provided - Object Eraser and Erase All.

### Object Eraser ✎

If you want to erase with the Interactive Pen Device (Main), select the icon and click the object to erase. If you want to erase with the Interactive Pen Device (Sub), select the icon and click the object to erase. Only objects drawn by the sub pen will be erased. If you directly drag on the object with the pen, these parts will be deleted.

### Erase All ✎

If you want to erase with the Interactive Pen Device (Main), select the icon and click the screen to erase all the objects on the page. If you want to erase with the Interactive Pen Device (Sub), select the icon and click the screen to erase all the objects drawn by the Interactive Pen Device (Sub) only.

### Note

The sub pen cannot delete the objects that are selected with the main pen.

## Select objects ⌘/Delete

If you drag the pen to frame objects, you can select objects in a rectangle that is created from the point where you started dragging to where you finished dragging. If you click the displayed delete icon, the selected objects will be deleted at once.

To cancel the selection, select the objects again or click where there is no object.



**Note**

You cannot delete the objects that are drawn with the Magic pen.

**Clock Display** 18:28

Click to adjust the clock.

YYYY	MM	DD	hh	mm
2031	/	11	/	17
05	:	37		
△	△	△	△	△
▽	▽	▽	▽	▽

**Adjust** △ ▽

Click the up or down button to adjust the date and time.

**Save**

You can save the date and time you set.

**Cancel**

Click to cancel the clock adjustment.

**Note**

If the projector is turned off for a long time, or the projector is left in the standby mode with “Standby Mode” set to “Low” for a long time, the clock display setting may return to the factory setting. In this case, set the clock again.

**Retrieve the Data Saved in the Projector**

You can move the whiteboard data saved in the projector to the computer by connecting the computer and projector with a USB cable.

- 1 Set “Interactive Mode” to “OFF(Data Export)” in “Interactive” (page 27).
- 2 Connect the computer and projector with a USB cable (page 47).  
After a while, the projector will be recognized as a hard disc drive.
- 3 Open the SavedPng folder in the hard disc drive to copy the necessary files to the computer.

Delete unnecessary files from the projector if necessary.

**Notes**

- Do not remove the USB cable while you are accessing the whiteboard data. The file may be damaged.
- If you set “Interactive Mode” to a setting other than “OFF(Data Export)” while accessing the whiteboard data in the projector, the files may be damaged. Do not operate while accessing the whiteboard data.
- Even if you directly put the image or movie files into the drive of the projector, you cannot project them with the projector.

**Add/delete template images to/from the projector**

- 1 Set “Interactive Mode” to “OFF(Data Export)” in “Interactive” (page 27).
- 2 Connect the computer and projector with the USB cable (page 47).  
After a while, the projector will be recognized as a hard disc drive.
- 3 Open the Templates folder to add/delete the PNG file.

**Note**

See “Notes” in “Retrieve the Data Saved in the Projector” (page 57).

# Using the Mouse Mode Function (VPL-SW636C only)

You can directly operate the Interactive Pen Device as a mouse on the screen by connecting the projector and computer with a USB cable. You can directly operate the applications, etc. on the computer screen.

## Note

This is for the main pen only.

System Requirements

- OS: Windows 7/Windows 8/Windows 8.1

## Setting the Mouse Mode

- 1** Connect the projector and computer with the AV cable and USB cable (page 47), and project the image with the projector.  
For details on connecting the AV cable (Mini D-sub 15-pin cable or HDMI cable) for image signals (VGA), see page 9.
- 2** Set “Interactive Mode” to “PC Interactive” in “Interactive” (page 27).
- 3** Perform the calibration.  
Select “Auto” or “Manual (Main)” in “Calibration” of “Interactive” (page 27), or the calibration icon on the toolbar of the PC Free Interactive function (page 53) to perform calibration.

## Note

For notes regarding usage of the Interactive Pen Device and performing calibration, see page 53.

## Operations of Interactive Pen Device While Using Mouse Mode

Corresponding mouse operations	Operations of Interactive Pen Device
Left-click	Touch the screen once with the pen tip.
Double-click	Touch the screen twice with the pen tip.
Drag and drop	Move the pen with the pen tip touched on the screen then release it.
Right-click	Push the button.

## Notes

- If the projected image includes a large amount of black portions around it, the image will not be displayed properly, and the positions of pen tip and the computer cursor may not match. In this case, adjust “Pitch” and “Shift” manually (page 24).
- If the resolution of the image signal of the computer and the “Signal Type” (page 34) on the Information menu do not match, the positions of the pen tip and computer cursor may not match.
- The maximum screen size at which the Interactive function works is 100 inches.

# Using Presentation Function via Network

The Presentation Function via Network enables you to do the following:

- Connect a maximum of eight computers to the projector.
- Project images from a maximum of four computers simultaneously.
- Connecting a USB wireless LAN module (not supplied) to the projector as an access point, allows the projector to connect to up to seven computers simultaneously.

Presentation Function via Network requires installation of Projector Station for Network Presentation (supplied CD-ROM). For information on updates of Projector Station for Network Presentation, visit Sony's web site: <https://www.servicesplus.sel.sony.com/>  
System requirements for using the application are as follows.

## OS

Windows XP: Home/Professional

Windows Vista: Home Premium/Business/Ultimate/Enterprise

Windows 7: Home Premium/Professional (Recommended)/Ultimate/Enterprise

Windows 8/8.1

Mac OS X: 10.6.x/10.7.x/10.8.x/10.9.x/10.10.x

## CPU

Pentium4 2.8GHz or faster

## Notes

- To install the application, administrative rights are required.
- If you do not have administrative rights, the application may not run properly.
- If firewall or security software is installed, the application may not run properly.
- Depending on the type of network adapter, the application may not run properly.
- Images may not be projected properly depending on the operating environment or the application.

## Installing Projector Station for Network Presentation

- 1 Close all running applications.
- 2 Insert the supplied CD-ROM into the CD-ROM drive of the computer.
- 3 Open the CD-ROM.  
**For Windows:**  
Double-click the .exe file. When the message "User Account Control" is displayed, click "Allow" or "Yes."  
**For Mac:**  
Double-click the .pkg file.
- 4 Follow the on-screen instructions to install the software.

## Starting Projector Station for Network Presentation

- 1 Connect the projector to a network.  
For a wired connection, connect the projector by a LAN cable, then make the network settings. For details, see "LAN Settings" (page 30) or "Setting the LAN Network of the projector" (page 39).  
For a wireless connection, see "LAN terminal" (page 10) or "USB terminal (Type A) (↔)" (page 11). Also check "WLAN Settings" (page 30).
- 2 Turn on the projector.  
Select "Network" as the input source (page 14).

### 3 Start Projector Station for Network Presentation.

#### For Windows:

Select [Start]-[All Programs]-[Projector Station for Network Presentation] on the computer.

#### For Mac:

Double-click [Projector Station for Network Presentation] in Applications folder.

## Projecting an Image

When you start Projector Station for Network Presentation for the first time after installing to your computer, the connection guidance window will be displayed. This window gives you the information for the necessary settings for connection. Be sure to read it thoroughly. When starting the application after the first time, the connection method selection window will be displayed first. You can check the connection guidance window anytime from the connection method selection window.

#### For Windows

Connection guidance window



### 1 Select the connection method.

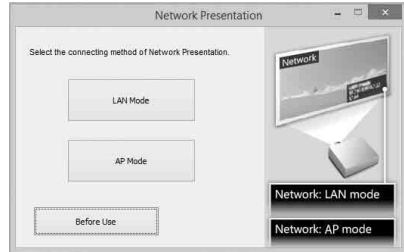
Refer to the network information on the projected screen of the projector and select “LAN Mode” or “AP Mode.”

**LAN Mode:** Select this mode if “Display Setting” in “Network Presentation” is set to “LAN Mode” on the projector’s menu. In this mode, the computer connects to the wired LAN of the projector or the USB wireless LAN module of the projector that operates as a client (“WLAN Network” page 30).

**AP Mode:** Select this mode if “Display Setting” in “Network Presentation” is set to “AP Mode” on the projector’s menu. In this mode, the computer connects to the USB wireless LAN module of the projector that operates as an access point (“WLAN Network” page 30).

#### For Windows:

Connection method selection window



#### Note

The appearance of the application on the screen is subject to change without notice.

### 2 Set the projector an image will be projected to.

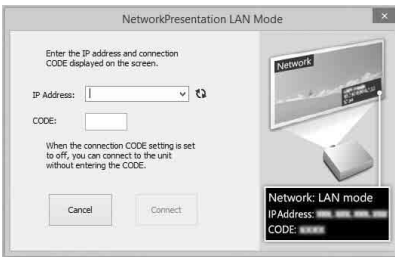
#### a) For LAN Mode

Refer to the network information on the projected screen of the projector that you want the computer connect to, and input the IP address and the Connection CODE. If “CODE” is “----”, “Connection CODE” (page 30) is set to “Off.” The computer can connect without inputting “CODE”.

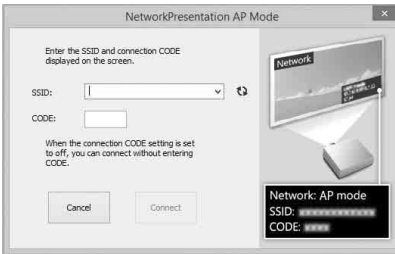
## b) For AP Mode

Refer to the network information on the projected screen of the projector that you want the computer connect to, and input the SSID and the Connection CODE. If “CODE” is “----”, “Connection CODE” is set to “Off.” The computer can connect without inputting “CODE”. If the wireless password is set for the SSID (“Setting the WLAN Network of the projector” on page 40), the wireless password input window will be displayed while the computer is trying to connect. Input the password to connect. To prevent information leaks, the wireless password is not displayed on the projected screen.

### Network Presentation LAN mode



### Network Presentation AP mode




### Wireless password input window



## Notes

- When a projector is connected to a network via a wireless connection, if the “SSID” is changed from the factory default, it may not be found.
- When a projector is connected to a network via a wired connection, depending on the network environment, it may not be found.


## 3 Click “Connect”.

When you click the “Connect” button, a controller will be displayed on the screen of the computer and the computer starts projecting an image (page 62). If another user is projecting an image, click  to start projecting. If no users are projecting an image, the controller appears on the screen and starts projecting an image.

## Notes

- Display related settings (such as your computer’s resolution) change when the image projection is started.
- If “Input” is set to other than “Network” (page 14), the image will not start being projected even after you press the “Connect” button. If you want to project the image, select “Network” to change the display status.

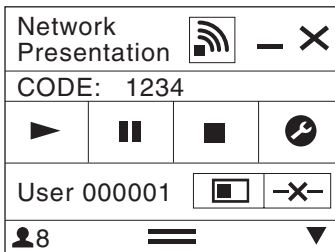
## Connection Settings

Item	Item descriptions
IP Address	Input the IP Address. List the IP addresses of the projectors on the network and IP addresses of projectors connected so far, as candidates.
SSID	Input SSID. List the peripheral SSIDs and SSIDs of projectors connected to the computer so far, as candidates.
 Update button	Search the network again and update the candidate list of the projectors.

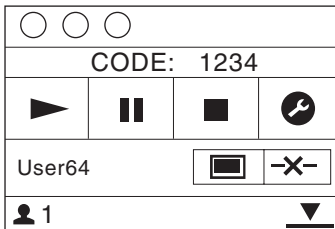
Item	Item descriptions
Wireless Password	Input the wireless password of the SSID. If open system Authentication is used, input of the wireless password is unnecessary.
CODE	Input the Connection CODE displayed on the screen of the projector.
Connect	Connect to the projector that is set in the items above and start to project an image.

## Using the Controller

### For Windows:



### For Mac:



Items	Functions
	Start projecting an image.
	Pause projecting an image.
	Stop projecting an image (screen turns black).
	Change the application settings.
	Disconnect from the projector.
	Select a projection method then start projecting an image.

Items	Functions	
Projection method		Not projecting an image.
		Project in full screen.
		Project in the left half of the screen.
		Project in the right half of the screen.
		Project in the upper left quadrant of the screen.
		Project in the upper right quadrant of the screen.
		Project in the lower left quadrant of the screen.
	Project in the lower right quadrant of the screen.	
	Display the strength of the wireless signal.	
CODE	Display the Connection CODE of the projector that is connected to the computer.	
	Display the number of users connected to the projector.	
	Display the users' status.	

## One-Click projecting function

Projector Station for Network Presentation allows you to create a shortcut that registers the connection setting.

By starting the application with the shortcut, you can project the image to the registered projector.

### 1 Create a file.

#### For Windows

Create a shortcut to the NetworkPresentation.exe. Copy the shortcut to the Projector Station for Network Presentation, or right-click the NetworkPresentation.exe in the installed folder to select "Create shortcut" from the pop up menu.

#### For Mac

Create a text file with any name with a text editor. Set the format to "Plain Text."

## 2 Register the connection setting.

### For Windows

Register the settings. Right-click the created shortcut and select “Properties” from the pop up menu.

Input the settings of the projector that you want the computer to connect to in “Target” from the “Shortcut” tab and save. For the format for the settings, refer to the command formats in the option format.

### For Mac

Input the settings of the projector that you want the computer to connect to in the created text file and save.

Refer to the command format in the option format to input settings. Right-click the created text file and select “Get Info” from the context menu. Change the extension of the filename that is displayed on “Name & Extension” to “.npr”.

## Option format

### Command format

#### For LAN Mode

-connect [IP address]:[CODE]:[Display Setting]

#### For AP Mode

-wifi [SSID]:[Wireless password]:  
[CODE]:[Display Setting]

Item	Description
IP address	Assign the IP address of the projector that you want the computer to connect to.
SSID	Assign the SSID of the projector that you want the computer to connect to.
Wireless password	Assign the wireless password for the SSID. If the security method is Open System authentication, input “open.” If the USB LAN wireless module setting is set to “Access Pt. (Auto),” input “auto.”*1

Item	Description
CODE	Assign the settings of the Connection CODE of the projector. <b>on:</b> Displays the dialogues for inputting the Connection CODE when the computer is trying to connect to the projector. <b>off:</b> Does not display the dialogues for inputting the Connection CODE when the computer is trying to connect to the projector. If “Connection CODE” of the projector is set to “On”, an authentication error occurs.
Display setting	Sets the status for when the projector starts projecting an image. <b>0:</b> Does not display an image when the computer starts projecting an image. You need to start projecting an image with the controller. <b>1:</b> Displays an image when the computer starts projecting an image.

\*1: “Access Pt. (Auto)” can be selected on the compatible models only. This model is not compatible for the settings of “Access Pt. (Auto).”

### Command Examples

#### Example 1)

If the settings of the projector that you want the computer to connect to are set as below and you want to display an image when the computer starts connecting to it

Network:LAN Mode  
IP address:192.168.1.187  
Connection CODE: On

#### For Windows

```
C:\Program Files (x86)\Sony\Projector
Station for Network Presentation\Network
Presentation.exe -connect 192.168.1.187:on:1
```

#### For Mac

```
-connect 192.168.1.187:on:1
```

### Example 2)

If the settings of the projector that you want the computer to connect to are set as below and you want to display an image when the computer starts connecting to it

Network: AP Mode  
SSID: VPL012ABC  
Wireless password: sony1  
Connection CODE: Off

### For Windows

```
C:\Program Files (x86)\Sony\Projector Station for Network Presentation\Network Presentation.exe -wifi VPL012ABC:sony1:off:1
```

### For Mac

```
-wifi VPL012ABC:sony1:off:1
```

## Use Projector Station for Network Presentation without installing it to the computer.

Projector Station for Network Presentation also has a portable version that can be used with external media, such as a USB mass storage device. Although some functions are limited, you can put and carry the Projector Station for Network Presentation in the external media, and use it on other computers.

### 1 Open the supplied CD-ROM.

#### For Windows

Double-click the “PJS\_NetworkPresentationP\_XXX.exe” file. If the User Account Control window is displayed, click “Allow” or “Yes.”

#### For Mac

Double-click the “PJS\_NetworkPresentationP\_XXX.pkg” file.

### 2 Follow the instructions in the wizards to install the application software.

### 3 Start the Projector Station for Network Presentation.

#### For Windows

Double-click the shortcut icon of Projector Station for Network Presentation that is created in the folder in which the application is installed.

#### For Mac

Double click “Projector Station for Network Presentation” in the folder in which the application is installed.

### Notes

- You can use this application only on the OS that supports this application.
- Make sure Projector Station for Network Presentation is not operating before installing the application.
- Make sure the external media that the application will be installed to has access rights and all files in the external media are closed.



## Error code list of Projector Station for Projector Station for Network Presentation

Error code	Meaning/Measure	Page
NPR-E1701	Failed while opening the WLAN device of the computer. Check that the WLAN function of the computer operates normally.	40
NPR-E1702	Failed while scanning the access point. Check that the WLAN function of the computer operates normally.	40
NPR-E1703	Failed while getting information of the access point. Check the WLAN function of the computer, and if multiple WLAN networks exist.	10,40
NPR-E1704	Cannot find the access point. Check if devices are connected correctly, the input SSID is correct and the projector is turned on.	14,63
NPR-E1705	Tried but failed while connecting using WEP64 bit or WEP128 bit. Check that the security setting of the WLAN function of the projector is correct.	63
NPR-E1706	Tried but failed while connecting using MIX (WPAPSK/WPA2-PSK (TKIP/AES)), WPA2-PSK (AES). Check that the security setting of the WLAN function of the projector is correct.	63
NPR-E1707	A security setting other than WEP 64bit, WEP 128bit, MIX (WPAPSK/WPA2-PSK (TKIP/AES)), WPA2-PSK (AES) is applied. Check that the input SSID and the security setting of the WLAN function of the projector are correct.	10,63
NPR-E1708	Failed to acquire the network profile. Check if the WLAN function of the computer operates normally.	–
NPR-E1709	Succeeded in authenticating the access point, but failed while associating. Check if multiple WLAN networks exist, or if the status of the projector changed while the computer tried to connect to the projector.	–
NPR-E1802	Failed while getting the IP address after connecting to the access point. Check the input SSID, security password and the setting of the security software of the computer.	–
NPR-E1803	Succeed in connecting to the access point, but failed while getting the information. Check the setting of the security software of the computer.	–
NPR-E1804	Connected to a different SSID (access point) from the one you assigned. Start from the connection setting again.	61
NPR-E2101	Cannot receive a response from the projector. The response may be blocked or the network may have been disconnected from the projector while communicating. Check the setting of the security software of the computer, the power status and the network composition of the projector.	–

## Displaying Images or Files Sent from a Tablet PC/ Smartphone

You can project JPEG images, PDF files, etc. stored in a tablet PC/smartphone wirelessly by using a specific application.<sup>\*1</sup> For downloading<sup>\*2</sup> or detailed method of using the application, access the following URL.

<http://PWPresenter.pixelworks.com>



- \*1: To use the application, one of the following conditions is required.
- Connected to network where wireless connection can be established (page 10).
  - Connected to a wireless network via USB wireless LAN module IFU-WLM3 (not supplied) that is connected to the projector (page 11).
- \*2: Depending on your Internet connection, a data communication fee may apply.

# Playing Video and Audio using USB Connection

You can also play video and audio simply by connecting the projector and computer with a USB A-B cable (not supplied).

Playing video and audio using USB connection requires to start USB Display.

System requirements for using the application are as follows.

## OS

Windows XP: Home/Professional (recommended)

Windows Vista: Home Premium/Business/Ultimate/Enterprise

Windows 7: Home Premium/Professional (Recommended)/Ultimate/Enterprise

Windows 8/8.1

Mac OS X: 10.6.x/10.7.x/10.8.x/10.9.x/10.10.x

## CPU

Pentium4 2.8GHz or faster

## Starting USB Display

- 1** Connecting the projector and your computer with a USB A-B cable (not supplied) (page 10).
- 2** Turn on the projector.  
Select “Type B USB” as the input source (page 14). After a short time, the projector is recognized as a CD-ROM drive in the computer.
- 3** Open “USB Display” in the CD-ROM drive.

## Notes

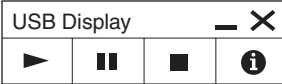
- The resolution of your computer changes when the application is started.
- Depending of the computer’s setting, the application may start automatically.
- When you are finished using the projector, you can simply disconnect the USB cable without using the Safely Remove Hardware option.
- Images may not be projected properly depending on the operating environment or the application.
- If your OS is Windows Vista, Windows 7 or Windows 8, turning off the Windows Aero is recommended.

## Playing Video and Audio

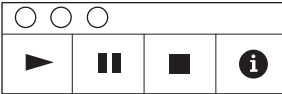
After starting USB Display, the controller appears on the screen, and projection playback starts automatically.





## Using the Controller

**For Windows:**



**For Mac:**



Items	Functions
	Start projecting audio/video.
	Pause projecting audio/video.
	Stop projecting audio/video (the screen turns black).
	Display information about USB Display.

# Using USB Media Viewer

You can browse image files stored in a USB memory device inserted in the USB terminal of the projector, without using a computer.

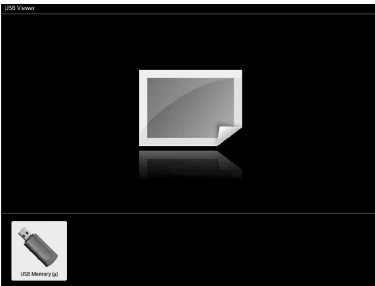
Supported storage media and file format:

- Supported storage media: USB flash memory
- Supported format of storage media: FAT format
- Supported file format: JPEG (.jpg/.jpeg), Bitmap (.bmp), PNG (.png), GIF (.gif), TIFF (.tif/.tiff)

## Notes

- exFAT, NTFS are not supported.
- TIFF files containing EXIF information are not supported.
- Image files in a USB memory device connected to the projector via a USB hub may not be displayed.
- Security protected USB memory may not function correctly.
- A USB memory card reader that is recognized as more than one drive may not function correctly.
- Display of image files that are larger than 4092 × 3072 pixels is not guaranteed. It may take a long time to display, or may not be displayed.
- A folder with a deep folder structure or with a very long folder name may not be displayed.
- An image may not be displayed, depending on its file type.
- Files or folders with names including non-alphanumeric characters may not be displayed.
- When displaying an image file, do not disconnect the USB memory device. It may cause a malfunction of the USB memory device or the projector. Disconnect the USB memory device when the USB Memory device selection screen is displayed.

- 1** Connect a USB Memory device to the projector (page 13).
- 2** Select “Type A USB” as the input source (page 14).
- 3** Select the USB Memory device.

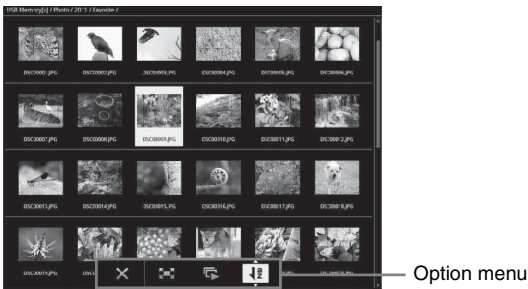


Press the ENTER key to display in the thumbnail mode.

USB Media Viewer has three display modes: “thumbnail mode,” “display mode” and “slideshow mode.”

## Thumbnail Mode

The image files in the folder are displayed as a thumbnail list.











Press the  $\uparrow/\downarrow/\leftarrow/\rightarrow$  key on the remote commander to select an image, then press the ENTER key. The option menu appears in the lower part of the screen.

---

### Option Menu

You can select the display order of thumbnails and display method of image files.

Items	Item descriptions
	Hide the option menu.
	Switch to the display mode, and display the selected image in full screen view. (page 71)
	Switch to the slideshow mode, and start the slideshow from the selected image. (page 71)
	Sort image files.
	Sort by name in alphabetical order.
	Sort by name in reverse alphabetical order.
	Sort by date in chronological order.
	Sort by date in reverse chronological order.

### Notes

- Files without thumbnail data (including those created by an application) appear as blank icons.
- Cannot display more than 200 image files and folders in one folder.

## Display Mode

In display mode, you can view a selected image in full screen view.



Option menu

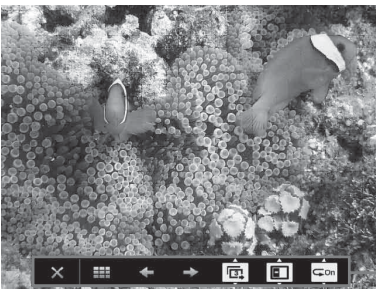
Press the ENTER key on the remote commander. The option menu appears in the lower part of the screen.

### Option Menu

Items	Item descriptions
	Hide the option menu.
	Return to the thumbnail mode (page 70).
	Rotate the image 90 degrees counter-clockwise.
	Rotate the image 90 degrees clockwise.
	Switch to the slideshow mode, and start the slideshow from the selected image. (page 71)
	Display the previous image.
	Display the next image.

## Slideshow Mode

In slideshow mode, you can view images as a slideshow.

















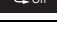


Option menu

Press ENTER key on the remote commander. The slideshow pauses and the option menu appears in the lower part of the screen.

---

## Option Menu

---

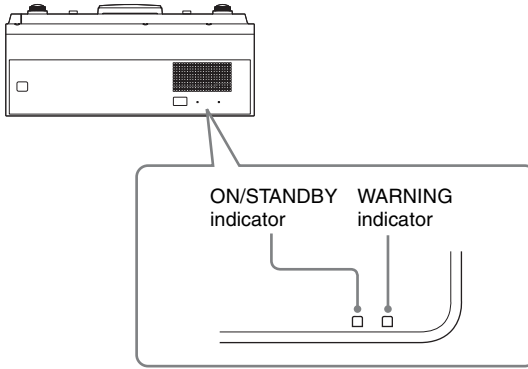
Items	Item descriptions
	Hide the option menu.
	Return to the thumbnail mode (page 70).
	Display the previous image.
	Display the next image.
	Press the <b>▲/▼</b> key to change the slideshow time interval.
	After 3 seconds, display the next image.
	After 5 seconds, display the next image.
	After 10 seconds, display the next image.
	Press the <b>▲/▼</b> key to change the slideshow effect.
	The next image appears with tile transition effect.
	The next image appears from the left side of the screen.
	The next image appears from the right side of the screen.
	The next image appears from the top of the screen.
	The next image appears from the bottom of the screen.
	Press the <b>▲/▼</b> key to change the slideshow repeat setting.
	After displaying the last image, the slideshow starts from the first image again.
	After displaying the last image, the slideshow ends and returns to the thumbnail mode.

---



# Indicators



You can check the projector status or abnormality by checking the lighting/flashing status of the ON/STANDBY indicator and WARNING indicator on the front. If the indicators flash in red, address the problem in accordance with “Warning indicators and remedies” (page 74).



## Operating status indication

Indicator status	Operating status	Meaning
<p>(Lights in (Off) red)</p>	Standby	The power is supplied to the projector and the projector is in a standby mode according to the setting.
<p>(Flashes (Off) in green)</p>	Warm-up/Cool-down	The projector is warming up after it is turned on, or cooling down after turned off.
<p>(Lights in (Off) green)</p>	Power on	The projector is ready for projection.
<p>(Lights in (Off) orange)</p>	Other standby status	The projector is in With No Input (Lamp Cutoff).

## Warning indicators and remedies

Indicator status	The number of flashes	Meaning	Remedies
 (Lights in red) (Flashes in red)	Twice	The lamp cover is not attached securely.	Check how the lamp cover is attached and install securely.
	Three times	The lamp does not light properly.	<p>The temperature of the lamp is unusually high. Turn off the projector and turn it on again after the lamp has cooled. If the same symptom occurs, turn off the projector again and remove the lamp (page 80), then check if the lamp is not broken.</p> <p>If the lamp is not broken, reattach the lamp and turn on the projector again.</p> <p>If the symptom occurs again, the lamp may be exhausted. In this case, replace the lamp with a new one (page 80).</p> <p>If the lamp is broken, do not exchange the lamp by yourself. Consult a qualified Sony consultant.</p>
 (Flashes in red) (Flashes in red) Both indicators flash	Twice	The temperature in the projector is abnormal.	<ul style="list-style-type: none"> <li>• Check if the air filter is clogged, then clean or replace it (page 82).</li> <li>• Check if the ventilation holes (intake/exhaust) are not blocked by the wall or an object and secure a sufficient gap.</li> <li>• Check the ambient temperature and use the projector within the range of operating temperature.</li> </ul>

If the indicators flash in a manner other than described above, unplug the AC power cord and make sure the ON/STANDBY indicator turns off, then plug the AC power cord into the wall outlet and turn on the projector.

If the problem still persists, consult with qualified Sony personnel.

# Messages List

When any of the messages listed below appears on the projected image, address the problem in accordance with the table below.

Messages	Meaning/Remedy	Page
High temp.! Lamp off in 1 min.	Check the items below. <ul style="list-style-type: none"> <li>• Check if nothing is blocking the ventilation holes.</li> <li>• Check if the air filter is not clogged.</li> <li>• Check if the Installation Attitude in the Installation menu is set correctly.</li> </ul>	4, 33, 82
Frequency is out of range!	Change the output setting of the connected equipment to one for signals supported by the projector.	90
Please check Input-A Signal Sel.	Set "Input-A Signal Sel." to "Auto" or select the input signal type to suit to the input signal.	30
Please clean the filter.	Clean the air filter.	82
Please replace the Lamp and clean the Filter.	Replace the lamp with a new one and clean the air filter. The message appears whenever you turn on the power until you replace the lamp and reset the lamp timer.	80, 82
Projector temperature is high. High Altitude Mode should be "On" if Projector is being used at high altitude.	When not using the projector at an altitude of 1,500 m or higher, check the items below. <ul style="list-style-type: none"> <li>• Check if nothing is blocking the ventilation holes.</li> <li>• Check if the air filter is not clogged.</li> <li>• Check if Installation Attitude in the Installation menu is set correctly.</li> </ul>	4, 33, 82
Not applicable!	Invalid key was pressed.	–
The control keys are locked!	"Control Key Lock" is set to "On."	29
Projector lamp will cut off soon. Press I/⏻ key to restart.	The I/⏻ key was pressed and the projector lamp will be cut off soon. To cancel lamp cut off, press the I/⏻ key again (the projector will return to the on status). To cut off the lamp immediately, press and hold the I/⏻ key for several seconds.	20
Lamp Dimming	Reduces lamp output when "With Static Signal" is set. When any change in signal is detected, or an operation (remote control or control panel) is performed, normal brightness is restored.	31
Unsupported USB device.	Connect the designated USB device (USB wireless LAN module IFU-WLM3 (not supplied)).	11
Unsupported USB hub.	The projector does not support USB hubs. Connect the designated USB device (USB wireless LAN module IFU-WLM3 (not supplied)).	11

# Troubleshooting

Before asking to have the projector repaired, try to diagnose the problem, following the instructions below.

## VPL-SW636C/SW631C/SW631/SX631

Symptoms	Remedy	Page
The power is not turned on.	Check if the AC power cord is firmly connected.	–
	When the “Control Key Lock” is set to “On,” you cannot turn on the projector using the I/⏻ key on the projector.	29
	If the lamp or lamp cover is not attached securely, the projector cannot be turned on.	80
No image.	Check if the connecting cable is connected to external equipment firmly.	9
	Check the computer signal is set for output to an external monitor only. If you set your computer to output to both the computer’s display and an external monitor, the external monitor image may not be displayed properly. Set your computer to output to only an external monitor.	14
	Check if the application “USB Display” or “Projector Station for Network Presentation” is running.	59, 67
	Check if the USB memory device connected to the projector is compatible with the projector.	69
	Check if the input source is correctly selected.	14
	Check if the picture is muted by pressing the BLANK key.	6
The application “USB Display” or “Projector Station for Network Presentation” does not start.	Check if the computer connected to the projector meets the system requirement for the applications.	59, 67
The computer cannot connect to the projector.	<ul style="list-style-type: none"> <li>• Check “LAN Settings” of the projector.</li> <li>• Check the condition of the wireless connection.</li> </ul>	30
On-screen display does not appear.	The on-screen display does not appear when “Status” in the Operation menu is set to “Off.”	29
The aspect ratio of the display is not right/the image is displayed smaller /a portion of image does not appear.	The image may not display correctly because the input signal cannot be judged correctly. In this case, set “Aspect” manually.	6, 23, 25
The image is a trapezoid.	The images become trapezoidal because of the projection angle. In this case, you can correct the trapezoidal distortion, using a Keystone feature.	6, 18, 33

Symptoms	Remedy	Page
The image is dark/too bright.	The settings for “Brightness,” “Contrast,” and “Lamp Mode” affect brightness of the image. Check if the value is appropriate.	22, 31
	The image will be dark when the lamp is burnt out. Check “Lamp Timer,” and replace the lamp with a new one if necessary.	34, 80
	“With Static Signal” is set to “On.”	31
	During picture muting, the lamp is dimmed to reduce power consumption.	31
	When video signal is not input, the lamp is dimmed to reduce power consumption.	–
The image becomes darker or brighter.	When the lamp is dimmed for a long time, brightness may increase temporarily, but this is not malfunction.	–
	When the “Lamp Mode” is set to “Auto,” the luminance of the lamp changes according to the input image.	30
The image is not clear.	Check if the projector is in focus.	16
	The picture will not be clear if condensation has accumulated on the lens. In this case, let the projector sit for about two hours with the power on.	–
The image is noisy.	Check if the connecting cable is connected to the external equipment properly.	9
No sound.	Check that the connecting cables between the projector and external video or audio equipment are securely connected.	9
	Check if the external audio equipment is set properly.	–
	Audio is not output if “Speaker” is set to “Off.”	27
	Audio is not output if audio muting is activated.	6
	Check if the volume is not set to minimum.	6, 27
The remote commander does not work.	Check if the batteries are installed correctly.	–
	Check if the batteries are not exhausted.	–
The fan is noisy.	The sound from the fan is often greater than normal to cool the lamp, etc. in the following cases. <ul style="list-style-type: none"> <li>• “Lamp Mode” is set to “High.”</li> <li>• The unit is used at a high altitude. “High Altitude Mode” is set to “On.”</li> <li>• The unit is used in the location where the temperature is high.</li> </ul>	31, 33
	If the ventilation holes are blocked, the internal temperature of the projector rises and the fan noise becomes larger.	4, 4

## VPL-SW636C only

Symptoms	Remedy	Page
PC Free Interactive function does not work.	Check if “Interactive Mode” is set to “PC Free.”	27
	Hide the menu.	21
	Check if the warning, notification, or other messages appear.	–
Cannot draw with the PC Free Interactive function.	Perform calibration with “Calibration” in the Function menu.	27
Cannot use Mouse Mode.	Check if the projector and the computer are connected with a USB cable.	10
	Check if “Interactive Mode” is set to “PC Interactive.”	27
	Check that Interactive Presentation Utility 2 is not running.	48, 50
Cannot use Interactive Presentation Utility 2.	Check if the projector and computer are connected with a USB cable.	10
	Check if “Interactive Mode” is set to “PC Interactive.”	27
	Check that Interactive Presentation Utility 2 is running.	48, 50
Cannot save the whiteboard data.	If the capacity of the projector is 500 KB or less, no more data can be saved. Save the necessary data to the computer and delete unnecessary files from the projector.	57
The correct time is not displayed on the clock display.	If the projector is turned off for a long time, or not operated in standby mode for a long time with “Standby Mode” set to “Low,” the clock display may be restored to the factory setting. In this case, click the clock display icon to set the clock again.	31, 57
Cannot retrieve the whiteboard data saved in the projector.	Check if the projector and computer are connected with a USB cable.	10
	Check if “Interactive Mode” is set to “OFF(Data Export).”	27
The positions of the computer cursor and pen do not match.	Select “Auto” or “Manual (Main)” in “Calibration,” and perform calibration.	27
	Adjust “Pitch” and “Shift” of the screen.	24
	If the resolution of the image signals of the computer and “Signal Type” on the Information menu do not match, the positions of pen tip and the computer cursor may not match. In this case, set the resolution of the image signals of the computer to match the one of “Signal Type.”	34
Even though “Lamp Mode” is set to “Auto,” it does not work.	If “Interactive Mode” is set to “PC Free,” and “Lamp Mode” is set to “Auto” at the same time, “Lamp Mode” will automatically become equivalent to “Standard.” Set “Interactive Mode” to other than “PC Free” if necessary.	27
Even though “With No Input” is set to “Lamp Cutoff” or “Standby,” it does not work.	When “Interactive Mode” is set to “PC Free,” “With No Input” will automatically become equivalent to “Off.” Set “Interactive Mode” to other than “PC Free” if necessary.	27, 31

Symptoms	Remedy	Page
Even though “With Static Signal” is set to “Lamp Dimming,” it does not work.	When “Interactive Mode” is set to “PC Free,” “With Statistic Signal” will automatically become equivalent to “Off.” Set “Interactive Mode” to other than “PC Free” if necessary.	27, 31
The PC that is connected via USB connector is operated by someone.	Do not operate while the screen of the computer you are operating is not displayed when using Interactive Presentation Utility 2 or mouse mode. (The operation performed by the Interactive Pen Device is still effective even while the images from other input connectors are displayed.)	–

# Replacing the Lamp

Replace the lamp with a new one if a message displayed on the projected image (page 90). Use an LMP-E220 projector lamp (not supplied) for replacement.

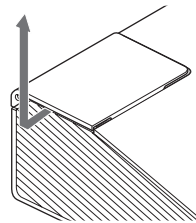
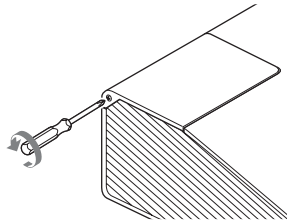
## Caution

- The lamp remains hot after the projector is turned off. **If you touch the lamp, you may burn your finger. When you replace the lamp, wait for at least an hour after turning off the projector for the lamp to cool sufficiently.**
- Do not allow any metallic or inflammable objects into the lamp replacement slot after removing the lamp, otherwise it may cause electrical shock or fire. Do not put your hands into the slot.

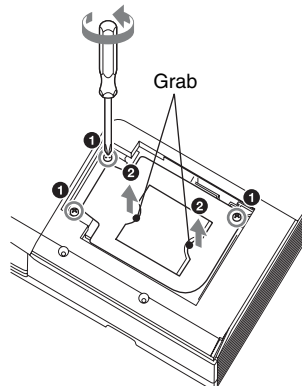
## Notes

- **If the lamp breaks, contact qualified Sony personnel. Do not replace the lamp yourself.**
- When removing the lamp, be sure to pull it out straight, by holding the designated location. If you touch a part of the lamp other than the designated location, you may be burned or injured. If you pull out the lamp while the projector is tilted, the pieces may scatter if the lamp breaks any way cause injury.

- 1** Turn off the projector, and disconnect the AC power cord from a wall outlet.
- 2** When the lamp has cooled sufficiently, open the lamp cover by loosening 1 screw.

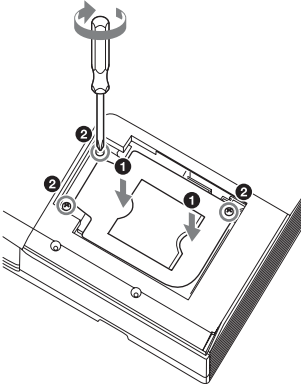


- 3** Loosen the three screws on the lamp (1) then pull out the lamp by its grab (2).





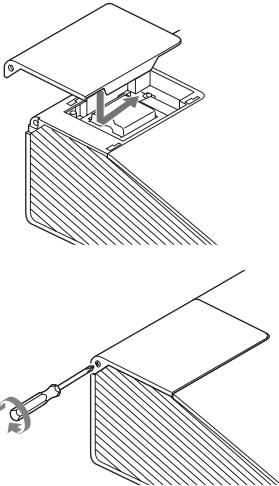
- 4 Insert the new lamp all the way in until it is securely in place (1). Tighten the three screws (2).



**Note**

The power will not turn on if the lamp is not secured properly.

- 5 Close the lamp cover and tighten the 1 screw.



- 6 Connect the AC power cord to a wall outlet and turn on the projector.
- 7 Reset the lamp timer for notification of the next replacement time.  
Select "Lamp Timer Reset" on the Function menu then press the ENTER key. When a message appears, select "Yes" to reset the lamp timer (page 27).

**Caution**

**For the customers in the U.S.A. and Canada**

**(Hg)** Lamp contains mercury. Dispose according to applicable local, state/province and federal laws. For additional information, see [www.sony.com/mercury](http://www.sony.com/mercury)

Others

# Cleaning the Air Filter

When a message appears on the projected image indicating time for a filter cleaning, clean the air filter (pages 73, 59).

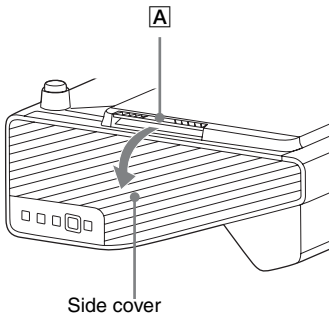
If the dust cannot be removed from the air filter even after cleaning, replace the air filter with a new one. For details on a new air filter, consult with qualified Sony personnel.

## Caution

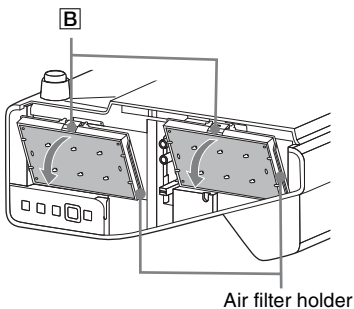
**If you continue to use the projector even after the message is displayed, dust may accumulate, clogging it. As a result, the temperature may rise inside the unit, leading to a possible malfunction or fire.**

**1** Turn off the projector, and disconnect the AC power cord from the AC outlet.

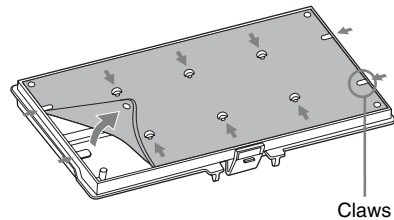
**2** Open the side cover.  
Press **A** and open the side cover in the direction of the arrow shown on the illustration below.



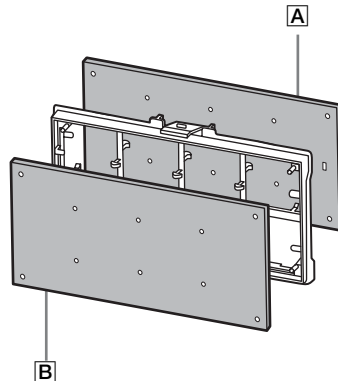
**3** Remove the air filter holders.  
Push **B** and remove the two air filter holders in the direction of the arrow.

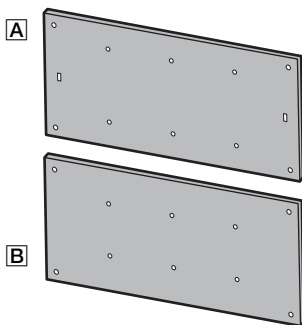


**4** Clean the air filters with a vacuum cleaner.  
Remove the four air filters as illustrated below then clean with a vacuum cleaner.



There are two air filters for one air filter holder.





- 5 Reattach the air filters on the air filter holders then put them back in the projector.

**Note**

Be sure to attach the air filters firmly. Otherwise, a malfunction may occur.

- 6 Reattach the side cover.



Others

# Specifications

Items		Descriptions
Projection system		3 LCD system
Display device	Effective display size	VPL-SW636C/SW631C/SW631: 0.59 inch (15.0 mm), 3 plate panels, Aspect ratio 16:10 VPL-SX631: 0.63 inch (16.0 mm), 3 plate panels, Aspect ratio 4:3
	Effective picture elements	VPL-SW636C/SW631C/SW631: 3,072,000 pixels (1280 × 800 pixels, 3 plate panels) VPL-SX631: 2,359,296 pixels (1024 × 768 pixels, 3 plate panels)
Projection lens	Zoom	Manual (approx.1.03 times)
	Focus	Manual
Light source		High-pressure mercury lamp, 225 W type
Projected image size		VPL-SW636C/SW631C/SW631: 65 inches to 110 inches (1.65 m to 2.79 m) VPL-SX631 : 70 inches to 115 inches (1.78 m to 2.92 m)
Luminous flux (Brightness)		VPL-SW636C/SW631C/SW631: 3300 lm VPL-SX631: 3300 lm (when “Lamp Mode” is set to “High”)
Speaker		16 W × 1 (monaural)
Applicable scanning frequency <sup>*1</sup>		Horizontal: 15 kHz to 92 kHz, Vertical: 48 Hz to 92 Hz
Resolution <sup>*1</sup>	When a computer signal is input	Maximum display resolution: 1600 × 1200 pixels (resize) Panel display resolution: VPL-SW636C/SW631C/SW631: 1280 × 800 pixels VPL-SX631: 1024 × 768 pixels
	When a video signal is input	NTSC, PAL, SECAM, 480/60i, 576/50i, 480/60p, 576/50p, 720/60p, 720/50p, 1080/60i, 1080/50i, 1080/60p, 1080/50p
Color system		NTSC <sup>3,58</sup> , PAL, SECAM, NTSC <sup>4,43</sup> , PAL-M, PAL-N, PAL60

Items	Descriptions
INPUT OUTPUT (Computer/ video)	INPUT A <b>RGB/YPbPr input terminal:</b> Mini D-sub 15-pin female, G with sync/Y: 1 Vp-p ± 2 dB, sync negative, 75 ohms terminated, RGB/PbPr: 0.7 Vp-p ± 2 dB, 75 ohms terminated, Sync signal: TTL level high impedance, positive/negative <b>Audio input terminal:</b> Stereo mini jack, rated input 500 mVrms, input impedance more than 47 kohms
	INPUT B <b>RGB input terminal:</b> Mini D-sub 15-pin female, RGB: 0.7 Vp-p ± 2 dB, 75 ohms terminated, Sync signal: TTL level high impedance, positive/negative <b>Audio input terminal:</b> Stereo mini jack, rated input 500 mVrms, input impedance more than 47 kohms
	INPUT C <b>HDMI input terminal:</b> HDMI 19-pin, HDCP, HDMI audio support
	S VIDEO (SVIDEO IN) <b>S video input terminal:</b> Mini DIN 4-pin, Y: 1 Vp-p ± 2dB, sync negative, 75 ohms terminated, C: (burst signal) 0.286 (NTSC)/0.3 (PAL/SECAM) Vp-p ± 2 dB, 75 ohms terminated <b>Audio input terminal:</b> Phono jack × 2, rated input 500 mVrms, input impedance more than 47 kohms
	VIDEO (VIDEO IN) <b>Video input terminal:</b> Pin jack, 1 Vp-p ± 2 dB, sync negative, 75 ohms terminated <b>Audio input terminal:</b> Shared with S VIDEO
	OUTPUT <b>MONITOR output terminal:</b> Mini D-sub 15-pin female, G with sync/Y: 1 Vp-p ± 2 dB, sync negative, 75 ohms terminated, RGB/PbPr: 0.7 Vp-p ± 2 dB, 75 ohms terminated, Sync signal: HD, VD 4 V (open), 1 Vp-p (75 ohms), positive/negative <b>Audio output terminal:</b> Stereo mini jack, 1 Vrms (maximum volume, when inputting 500 mVrms), output impedance 5 kohms
Other terminals	<b>RS-232C terminal:</b> D-Sub 9-pin male <b>LAN terminal:</b> RJ45, 10BASE-T/100BASE-TX <b>USB terminal:</b> Type A <b>USB terminal:</b> Type B <b>Microphone input:</b> Mini jack
Operating temperature/ Operating humidity	0 °C to 40 °C (32 °F to 104 °F)/20% to 80% (no condensation)
Storage temperature/ Storage humidity	-10 °C to +60 °C (14 °F to 140 °F)/20% to 80% (no condensation)
Power requirements	VPL-SW636C: 100 V to 240 V AC, 3.5 A to 1.6 A, 50/60 Hz VPL-SW631C: 100 V to 240 V AC, 3.4 A to 1.5 A, 50/60 Hz VPL-SW631/SX631: 100 V to 240 V AC, 3.3 A to 1.5 A, 50/60 Hz

Items		Descriptions
Power consumption	AC 100 V to 120 V	VPL-SW636C: 341W VPL-SW631C: 338W VPL-SW631: 330W VPL-SX631: 305W
	AC 220 V to 240 V	VPL-SW636C: 328W VPL-SW631C: 324W VPL-SW631: 320W VPL-SX631: 294W
Power consumption (standby mode)	AC 100 V to 120 V	0.5 W (when “Standby Mode” is set to “Low”)
	AC 220 V to 240 V	0.5 W (when “Standby Mode” is set to “Low”)
Power consumption (networked standby mode)	AC 100 V to 120 V	5.3 W (LAN) 5.9 W (optional WLAN module) 6.1 W (all terminals and networks connected) (when “Standby Mode” is set to “Standard”)
	AC 220 V to 240 V	5.6 W (LAN) 6.2 W (optional WLAN module) 6.4 W (all terminals and networks connected) (when “Standby Mode” is set to “Standard”)
Heat dissipation		VPL-SW636C: <b>100 V AC:</b> 1,163 BTU/h <b>240 V AC:</b> 1,119 BTU/h VPL-SW631C: <b>100 V AC:</b> 1,153 BTU/h <b>240 V AC:</b> 1,105 BTU/h VPL-SW631: <b>100 V AC:</b> 1,126 BTU/h <b>240 V AC:</b> 1,092 BTU/h VPL-SX631: <b>100 V AC:</b> 1,041 BTU/h <b>240 V AC:</b> 1,003 BTU/h
Standard dimensions (W/H/D)		Approx. 372 × 167 × 382 mm (14 <sup>21</sup> / <sub>32</sub> × 6 <sup>9</sup> / <sub>16</sub> × 15 <sup>1</sup> / <sub>32</sub> inches)
		Approx. 372 × 138 × 382 mm (14 <sup>21</sup> / <sub>32</sub> × 5 <sup>7</sup> / <sub>16</sub> × 15 <sup>1</sup> / <sub>32</sub> inches) (without projecting parts)
Mass		VPL-SW636C: Approx. 6.3 kg (14 lb) VPL-SW631C: Approx. 6.2 kg (14 lb) VPL-SW631/SX631: Approx. 6.0 kg (13 lb)
Supplied accessories		See “Checking the Supplied Accessories” in the supplied Quick Reference Manual.
Optional accessories <sup>*2</sup> <sup>*3</sup>		<b>Projector Lamp LMP-E220 (for replacement)</b> <b>USB wireless LAN module IFU-WLM3</b> <b>Interactive Pen Device IFU-PN250A/PN250B</b>

### Notes

\*1: For details, refer to “Acceptable Input Signals” on page 90.

\*2: Information on accessories in this manual is current as of January 2016.

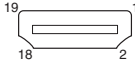
\*3: Not all optional accessories are available in all countries and area. Please check with your local Sony Authorized Dealer.

Design and specifications of the unit, including the optional accessories, are subject to change without notice.



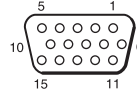
## Pin assignment

### HDMI terminal (HDMI, female)



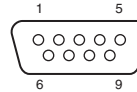
1	T.M.D.S. Data2+	11	T.M.D.S. Clock Shield
2	T.M.D.S. Data2 Shield	12	T.M.D.S. Clock -
3	T.M.D.S. Data2 -	13	N.C.
4	T.M.D.S. Data1+	14	RESERVED (N.C.)
5	T.M.D.S. Data1 Shield	15	SCL
6	T.M.D.S. Data1 -	16	SDA
7	T.M.D.S. Data0+	17	DDC GND
8	T.M.D.S. Data0 Shield	18	+5V Power
9	T.M.D.S. Data0 -	19	Hot Plug Detect
10	T.M.D.S. Clock+		

### RGB input terminal (Mini D-sub 15-pin, female)



1	Video input (red) R	9	Power supply input for DDC
2	Video input (green) G	10	GND
3	Video input (blue) B	11	GND
4	GND	12	DDC/SDA
5	RESERVE	13	Horizontal sync signal
6	GND (R)	14	Vertical sync signal
7	GND (G)	15	DDC/SCL
8	GND (B)		

### RS-232C terminal (D-Sub 9-pin, male)



1	NC	6	NC
2	RXDA	7	RTS
3	TXDA	8	CTS
4	DTR	9	NC
5	GND		



### USB terminal (Type A, female)



1	V <sub>BUS</sub> (4.4 - 5.25 V)
2	Data-
3	Data+
4	Ground

### USB terminal (Type B, female)



1	VCC (+5 V)
2	Data-
3	Data+
4	Ground



Others

## Acceptable Input Signals\*1

### Computer signal

Resolution	fH[kHz]/ fV[Hz]	Input terminal		
		RGB/ YPbPr	HDMI	RGB
640 × 350	31.5/70	●		●
	37.9/85	●		●
640 × 400	31.5/70	●		●
	37.9/85	●		●
640 × 480	31.5/60	●	●	●
	35.0/67	●		●
	37.9/73	●		●
	37.5/75	●		●
	43.3/85	●		●
800 × 600	35.2/56	●		●
	37.9/60	●	●	●
	48.1/72	●		●
	46.9/75	●		●
	53.7/85	●		●
832 × 624	49.7/75	●		●
1024 × 768	48.4/60	●	●	●
	56.5/70	●		●
	60.0/75	●		●
	68.7/85	●		●
1152 × 864	64.0/70	●		●
	67.5/75	●		●
	77.5/85	●		●
1152 × 900	61.8/66	●		●
1280 × 960	60.0/60	●	●	●
1280 × 1024	64.0/60	●	●	●
	80.0/75	●		●
	91.1/85	●		●
1400 × 1050	65.3/60	●	●	●
1600 × 1200	75.0/60	●	●	●
1280 × 768	47.8/60		●	
1280 × 720	45.0/60	●	●*2	●
1920 × 1080	67.5/60		●*3	
1366 × 768	47.7/60	●	●	●
1440 × 900	55.9/60	●	●	●

Resolution	fH[kHz]/ fV[Hz]	Input terminal		
		RGB/ YPbPr	HDMI	RGB
1280 × 800	49.7/60	●	●	●

### Digital TV signal\*4

Signal	fV[Hz]	Input terminal	
		RGB/ YPbPr	HDMI
480i	60	●	●
576i	50	●	●
480p	60	●	●
576p	50	●	●
1080i	60	●	●
1080i	50	●	●
720p	60	●	●
720p	50	●	●
1080p	60		●
1080p	50		●

### Analog TV signal

Signal	fV[Hz]	Input terminal
		VIDEO/S VIDEO
NTSC	60	●
PAL/SECAM	50	●

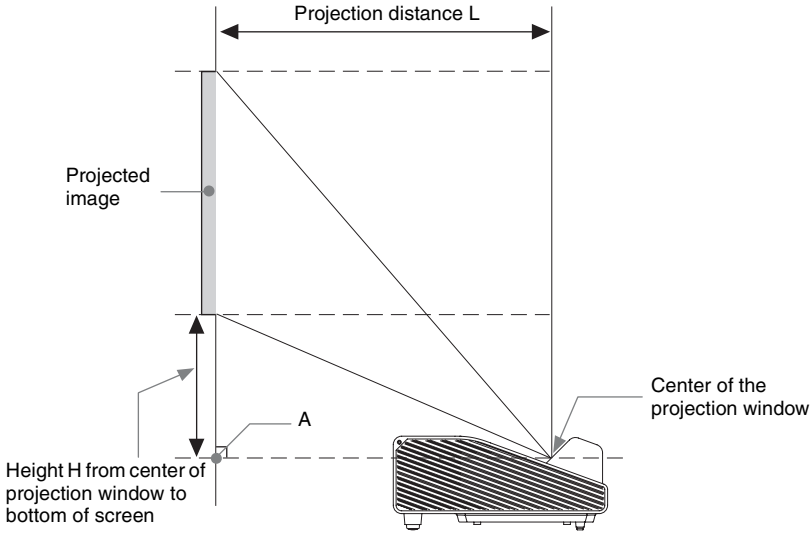
### Notes

- \*1: ● When a signal other than the signals listed in table is input, the picture may not be displayed properly.
- An input signal meant for screen resolution different from that of the panel will not be displayed in its original resolution. Text and lines may be uneven.
- \*2: This is identified as a movie delivery signal of 720/60p.
- \*3: This is identified as a movie delivery signal of 1080/60p.
- \*4: Only G with sync/Y is supported.

# Projection Distance and Lens Shift Range

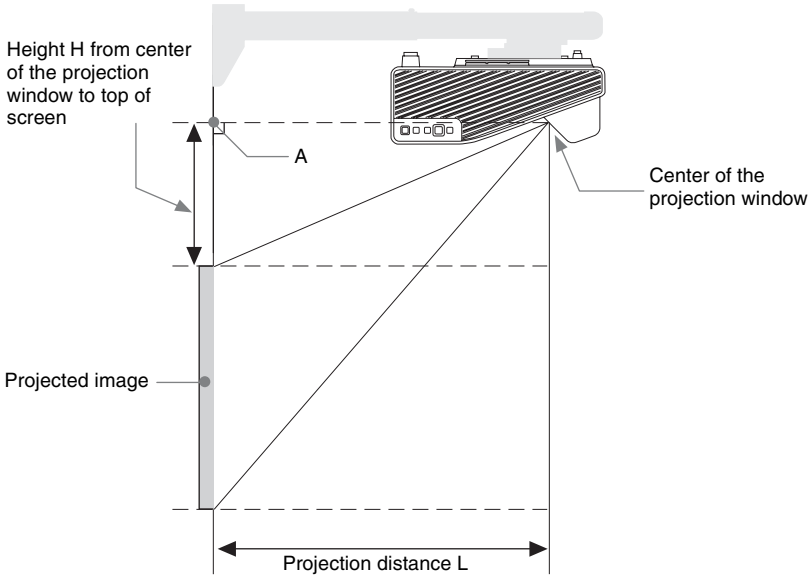
The projection distance is the distance between the center of the projection window and the surface of the projected image. The following describes the projection distance and height from the center of the projection window to edge of screen by each projected screen size. Height H is the height from the bottom of the projected image (top for wall mount) to A (determined by drawing a perpendicular line from the center of the projection window to projected image surface).

## Floor Installation



Others

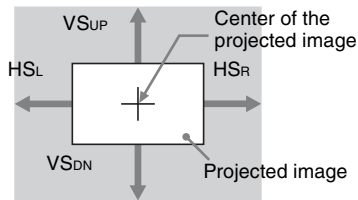
## Wall Installation



L: Projection distance L

H: Distance between the edge of the image and the center of the projection window

The lens shift range is the distance you can move the lens shift from the center of the projected image(0) when full width and full height of the projected image is regarded as 100%.



Shaded region: Lens shift range

VS<sub>UP</sub>: Vertical lens shift range (up) [%]

VS<sub>DN</sub>: Vertical lens shift range (down) [%]

HS<sub>R</sub>: Horizontal lens shift range (right) [%]

HS<sub>L</sub>: Horizontal lens shift range (left) [%]

## Projection distance table (VPL-SW636C/SW631C/SW631)

Unit: m (inches)

Projected image size		Projection Distance L	Height H from center of projection window to edge of screen	
Diagonal D	Width × Height		Projection Distance L (Min.)	Projection Distance L (Max.)
65 inch (1.65 m)	1.40 × 0.88 (55 × 34)	0.367-0.378 (14 <sup>1</sup> / <sub>2</sub> -15)	0.256 (10 <sup>1</sup> / <sub>8</sub> )	0.256 (10 <sup>1</sup> / <sub>8</sub> )
70 inch (1.78 m)	1.51 × 0.94 (59 × 37)	0.399-0.411 (15 <sup>3</sup> / <sub>4</sub> -16 <sup>1</sup> / <sub>4</sub> )	0.277 (11)	0.278 (11)
80 inch (2.03 m)	1.72 × 1.08 (68 × 42)	0.462-0.476 (18 <sup>1</sup> / <sub>4</sub> -18 <sup>3</sup> / <sub>4</sub> )	0.319 (12 <sup>5</sup> / <sub>8</sub> )	0.320 (12 <sup>5</sup> / <sub>8</sub> )
90 inch (2.29 m)	1.94 × 1.21 (76 × 48)	0.525-0.541 (20 <sup>3</sup> / <sub>4</sub> -21 <sup>3</sup> / <sub>8</sub> )	0.362 (14 <sup>3</sup> / <sub>8</sub> )	0.363 (14 <sup>3</sup> / <sub>8</sub> )
100 inch (2.54 m)	2.15 × 1.35 (85 × 53)	0.588-0.606 (23 <sup>1</sup> / <sub>4</sub> -23 <sup>7</sup> / <sub>8</sub> )	0.404 (16)	0.405 (16)
110 inch (2.79 m)	2.37 × 1.48 (93 × 58)	0.651-0.671 (25 <sup>3</sup> / <sub>4</sub> -26 <sup>1</sup> / <sub>2</sub> )	0.446 (17 <sup>5</sup> / <sub>8</sub> )	0.448 (17 <sup>3</sup> / <sub>4</sub> )

## Projection distance formula (VPL-SW636C/SW631C/SW631)

D: Projected image size (Diagonal)

H: Distance between the edge of the image and the center of the projection window

Expression#1

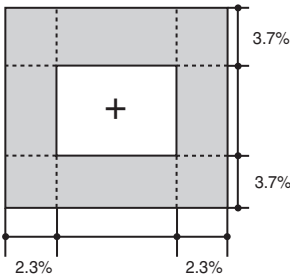
Unit: m (inches)

Projection Distance L (Min.)	Projection Distance L (Max.)
$L=0.006306 \times D-0.0433$ ( $L=0.248266 \times D-1.7042$ )	$L=0.006502 \times D-0.0439$ ( $L=0.255998 \times D-1.7288$ )

Expression#2

Height H from center of projection window to edge of screen	
Projection Distance L (Min.)	Projection Distance L (Max.)
$H=0.00424 \times D-0.01957$ ( $H=0.16676 \times D-0.77063$ )	$H=0.00425 \times D-0.02002$ ( $H=0.16740 \times D-0.78812$ )

## Lens shift range (VPL-SW636C/SW631C/SW631)



$$VS_{UP} [\%] = VS_{DN} [\%] = 3.7 [\%]$$

$$HS_R [\%] = HS_L [\%] = 2.3 [\%]$$

## Projection distance table (VPL-SX631)

Unit: m (inches)

Projected image size		Projection Distance L	Height H from center of projection window to edge of screen	
Diagonal D	Width × Height		Projection Distance L (Min.)	Projection Distance L (Max.)
70 inch (1.78 m)	1.42 × 1.07 (56 × 42)	0.374-0.385 (14 <sup>3</sup> / <sub>4</sub> -15 <sup>1</sup> / <sub>4</sub> )	0.172 (6 <sup>7</sup> / <sub>8</sub> )	0.173 (6 <sup>7</sup> / <sub>8</sub> )
80 inch (2.03 m)	1.63 × 1.22 (64 × 48)	0.433-0.446 (17 <sup>1</sup> / <sub>8</sub> -17 <sup>5</sup> / <sub>8</sub> )	0.200 (7 <sup>7</sup> / <sub>8</sub> )	0.200 (7 <sup>7</sup> / <sub>8</sub> )
90 inch (2.29 m)	1.83 × 1.37 (72 × 54)	0.493-0.508 (19 <sup>1</sup> / <sub>2</sub> -20)	0.227 (9)	0.228 (9)
100 inch (2.54 m)	2.03 × 1.52 (80 × 60)	0.552-0.569 (21 <sup>3</sup> / <sub>4</sub> -22 <sup>1</sup> / <sub>2</sub> )	0.255 (10 <sup>1</sup> / <sub>8</sub> )	0.255 (10 <sup>1</sup> / <sub>8</sub> )
110 inch (2.79 m)	2.24 × 1.68 (88 × 66)	0.612-0.630 (24 <sup>1</sup> / <sub>8</sub> -24 <sup>7</sup> / <sub>8</sub> )	0.282 (11 <sup>1</sup> / <sub>8</sub> )	0.283 (11 <sup>1</sup> / <sub>4</sub> )
115 inch (2.92 m)	2.34 × 1.75 (92 × 69)	0.641-0.661 (25 <sup>1</sup> / <sub>4</sub> -26 <sup>1</sup> / <sub>8</sub> )	0.296 (11 <sup>3</sup> / <sub>4</sub> )	0.297 (11 <sup>3</sup> / <sub>4</sub> )

## Projection distance formula (VPL-SX631)

D: Projected image size (Diagonal)

H: Distance between the edge of the image and the center of the projection window

Expression#1

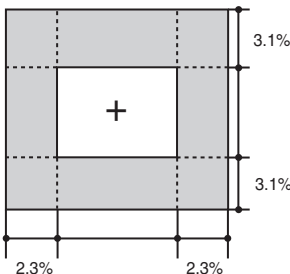
Unit: m (inches)

Projection Distance L (Min.)	Projection Distance L (Max.)
$L=0.005950 \times D-0.0433$ ( $L=0.234240 \times D-1.7056$ )	$L=0.006125 \times D-0.0432$ ( $L=0.241125 \times D-1.6993$ )

Expression#2

Height H from center of projection window to edge of screen	
Projection Distance L (Min.)	Projection Distance L (Max.)
$H=0.00275 \times D-0.02018$ ( $H=0.10826 \times D-0.79441$ )	$H=0.00275 \times D-0.02014$ ( $H=0.10846 \times D-0.79297$ )

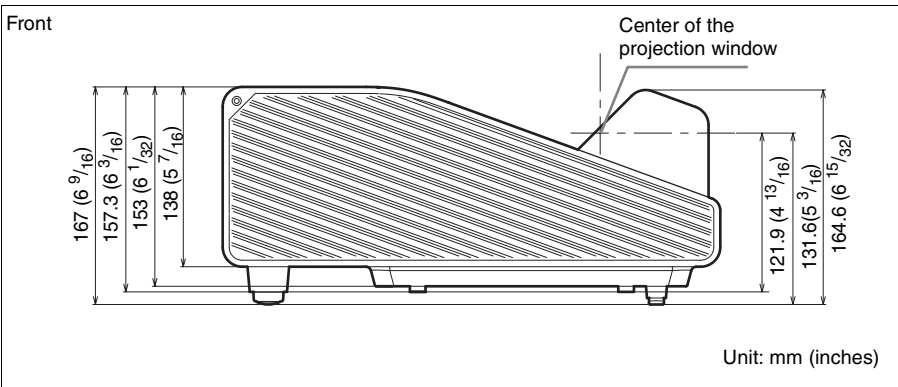
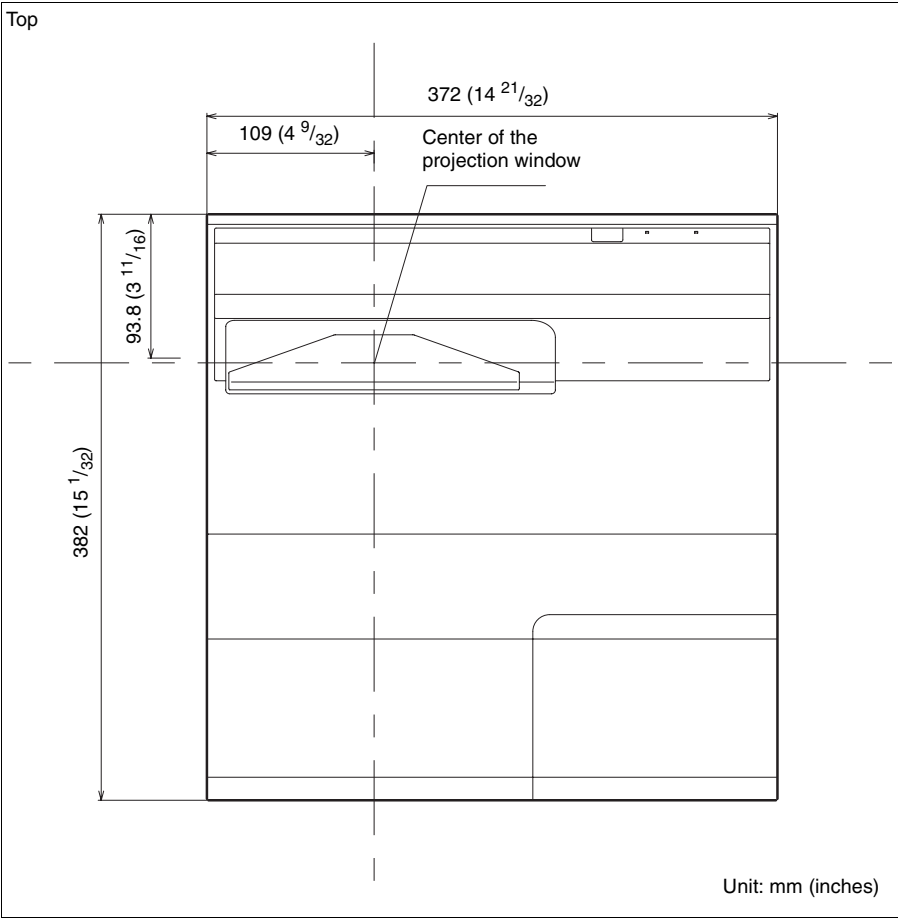
## Lens shift range (VPL-SX631)



$$VS_{UP} [\%] = VS_{DN} [\%] = 3.1 [\%]$$

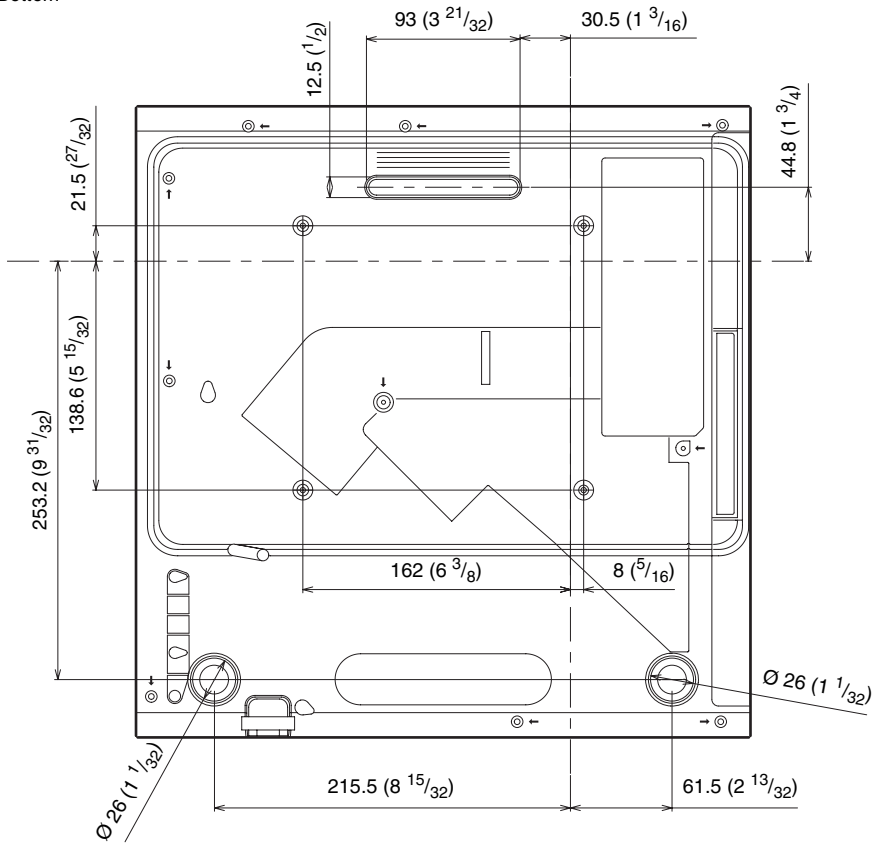
$$HS_{R} [\%] = HS_{L} [\%] = 2.3 [\%]$$

# Dimensions



Others

Bottom



Unit: mm (inches)



# END USER LICENSE AGREEMENT

## IMPORTANT:

BEFORE USING THE SOFTWARE, PLEASE READ THIS END USER LICENSE AGREEMENT (“EULA”) CAREFULLY. BY USING THE SOFTWARE YOU ARE ACCEPTING THE TERMS OF THIS EULA. IF YOU DO NOT ACCEPT THE TERMS OF THIS EULA, YOU MAY NOT USE THE SOFTWARE.

This EULA is a legal agreement between you and Sony Corporation (“SONY”). This EULA governs your rights and obligations regarding the software of SONY and/or its third party licensors (including SONY’s affiliates) and their respective affiliates (collectively, the “THIRD-PARTY SUPPLIERS”), together with any updates/upgrades provided by SONY, any printed, on-line or other electronic documentation for such software, and any data files created by operation of such software (collectively, the “SOFTWARE”).

Notwithstanding the foregoing, any software in the SOFTWARE having a separate end user license agreement (including, but not limited to, GNU General Public license and Lesser/Library General Public License) shall be covered by such applicable separate end user license agreement in lieu of the terms of this EULA to the extent required by such separate end user license agreement (“EXCLUDED SOFTWARE”).

## SOFTWARE LICENSE

The SOFTWARE is licensed, not sold. The SOFTWARE is protected by copyright and other intellectual property laws and international treaties.

## COPYRIGHT

All right and title in and to the SOFTWARE (including, but not limited to, any images, photographs, animation, video, audio, music, text and “applets” incorporated into the SOFTWARE) is owned by SONY or one

or more of the THIRD-PARTY SUPPLIERS.

## GRANT OF LICENSE

SONY grants you a limited license to use the SOFTWARE solely in connection with your compatible device (“DEVICE”) and only for your individual, non-commercial use. SONY and the THIRD-PARTY SUPPLIERS expressly reserve all rights, title and interest (including, but not limited to, all intellectual property rights) in and to the SOFTWARE that this EULA does not specifically grant to you.

## REQUIREMENTS AND LIMITATIONS

You may not copy, publish, adapt, redistribute, attempt to derive source code, modify, reverse engineer, decompile, or disassemble any of the SOFTWARE, whether in whole or in part, or create any derivative works from or of the SOFTWARE unless such derivative works are intentionally facilitated by the SOFTWARE. You may not modify or tamper with any digital rights management functionality of the SOFTWARE. You may not bypass, modify, defeat or circumvent any of the functions or protections of the SOFTWARE or any mechanisms operatively linked to the SOFTWARE. You may not separate any individual component of the SOFTWARE for use on more than one DEVICE unless expressly authorized to do so by SONY. You may not remove, alter, cover or deface any trademarks or notices on the SOFTWARE. You may not share, distribute, rent, lease, sublicense, assign, transfer or sell the SOFTWARE. The software, network services or other products other than SOFTWARE upon which the SOFTWARE’S performance depends might be interrupted or discontinued at the discretion of the suppliers (software suppliers, service suppliers, or SONY). SONY and such suppliers do not warrant that the SOFTWARE, network services, contents or other products will continue to be available, or will operate without interruption or modification.

Others

## **EXCLUDED SOFTWARE AND OPEN SOURCE COMPONENTS**

Notwithstanding the foregoing limited license grant, you acknowledge that the SOFTWARE may include EXCLUDED SOFTWARE. Certain EXCLUDED SOFTWARE may be covered by open source software licenses (“Open Source Components”), which means any software licenses approved as open source licenses by the Open Source Initiative or any substantially similar licenses, including but not limited to any license that, as a condition of distribution of the software licensed under such license, requires that the distributor make the software available in source code format. If and to the extent disclosure is required, please visit [www.sony.net/Products/Linux](http://www.sony.net/Products/Linux) or other SONY-designated web site for a list of applicable OPEN SOURCE COMPONENTS included in the SOFTWARE from time to time, and the applicable terms and conditions governing its use. Such terms and conditions may be changed by the applicable third party at any time without liability to you. To the extent required by the licenses covering EXCLUDED SOFTWARE, the terms of such licenses will apply in lieu of the terms of this EULA. To the extent the terms of the licenses applicable to EXCLUDED SOFTWARE prohibit any of the restrictions in this EULA with respect to such EXCLUDED SOFTWARE, such restrictions will not apply to such EXCLUDED SOFTWARE. To the extent the terms of the licenses applicable to Open Source Components require SONY to make an offer to provide source code in connection with the SOFTWARE, such offer is hereby made.

## **USE OF SOFTWARE WITH COPYRIGHTED MATERIALS**

The SOFTWARE may be capable of being used by you to view, store, process and/or use content created by you and/or third parties. Such content may be protected by copyright, other intellectual property laws, and/or agreements. You agree to use the SOFTWARE only in compliance with all such laws and agreements that apply to such content. You acknowledge and agree that

SONY may take appropriate measures to protect the copyright of content stored, processed or used by the SOFTWARE. Such measures include, but are not limited to, counting the frequency of your backup and restoration through certain SOFTWARE features, refusal to accept your request to enable restoration of data, and termination of this EULA in the event of your illegitimate use of the SOFTWARE.

## **CONTENT SERVICE**

PLEASE ALSO NOTE THAT THE SOFTWARE MAY BE DESIGNED TO BE USED WITH CONTENT AVAILABLE THROUGH ONE OR MORE CONTENT SERVICES (“CONTENT SERVICE”). USE OF THE SERVICE AND THAT CONTENT IS SUBJECT TO THE TERMS OF SERVICE OF THAT CONTENT SERVICE. IF YOU DECLINE TO ACCEPT THOSE TERMS, YOUR USE OF THE SOFTWARE WILL BE LIMITED. You acknowledge and agree that certain content and services available through the SOFTWARE may be provided by third parties over which SONY has no control. USE OF THE CONTENT SERVICE REQUIRES AN INTERNET CONNECTION. THE CONTENT SERVICE MAY BE DISCONTINUED AT ANY TIME.

## **INTERNET CONNECTIVITY AND THIRD PARTY SERVICES**

You acknowledge and agree that access to certain SOFTWARE features may require an Internet connection for which you are solely responsible. Further, you are solely responsible for payment of any third party fees associated with your Internet connection, including but not limited to Internet service provider or airtime charges. Operation of the SOFTWARE may be limited or restricted depending on the capabilities, bandwidth or technical limitations of your Internet connection and service. The provision, quality and security of such Internet connectivity are the sole responsibility of the third party providing such service.

## EXPORT AND OTHER REGULATIONS

You agree to comply with all applicable export and re-export restrictions and regulations of the area or country in which you reside, and not to transfer, or authorize the transfer, of the SOFTWARE to a prohibited country or otherwise in violation of any such restrictions or regulations.

## HIGH RISK ACTIVITIES

The SOFTWARE is not fault-tolerant and is not designed, manufactured or intended for use or resale as on-line control equipment in hazardous environments requiring fail-safe performance, such as in the operation of nuclear facilities, aircraft navigation or communication systems, air traffic control, direct life support machines, or weapons systems, in which the failure of the SOFTWARE could lead to death, personal injury, or severe physical or environmental damage (“HIGH RISK ACTIVITIES”). SONY, each of the THIRD-PARTY SUPPLIERS, and each of their respective affiliates specifically disclaim any express or implied warranty, duty or condition of fitness for HIGH RISK ACTIVITIES.

## EXCLUSION OF WARRANTY ON SOFTWARE

You acknowledge and agree that use of the SOFTWARE is at your sole risk and that you are responsible for use of the SOFTWARE. The SOFTWARE is provided “AS IS,” without warranty, duty or condition of any kind.

SONY AND EACH OF THE THIRD-PARTY SUPPLIERS (for purposes of this Section, SONY and each of the THIRD-PARTY SUPPLIERS shall be collectively referred to as “SONY”) EXPRESSLY DISCLAIM ALL WARRANTIES, DUTIES OR CONDITIONS, EXPRESS OR IMPLIED, INCLUDING, BUT NOT LIMITED TO, THE IMPLIED WARRANTIES OF MERCHANTABILITY, NONINFRINGEMENT AND FITNESS FOR A PARTICULAR PURPOSE. SONY DOES NOT WARRANT OR MAKE ANY CONDITIONS OR REPRESENTATIONS (A) THAT THE FUNCTIONS

CONTAINED IN ANY OF THE SOFTWARE WILL MEET YOUR REQUIREMENTS OR THAT THEY WILL BE UPDATED, (B) THAT THE OPERATION OF ANY OF THE SOFTWARE WILL BE CORRECT OR ERROR-FREE OR THAT ANY DEFECTS WILL BE CORRECTED, (C) THAT THE SOFTWARE WILL NOT DAMAGE ANY OTHER SOFTWARE, HARDWARE OR DATA, (D) THAT ANY SOFTWARE, NETWORK SERVICES (INCLUDING THE INTERNET) OR PRODUCTS (OTHER THAN THE SOFTWARE) UPON WHICH THE SOFTWARE’S PERFORMANCE DEPENDS WILL CONTINUE TO BE AVAILABLE, UNINTERRUPTED OR UNMODIFIED, AND (E) REGARDING THE USE OR THE RESULTS OF THE USE OF THE SOFTWARE IN TERMS OF ITS CORRECTNESS, ACCURACY, RELIABILITY, OR OTHERWISE.

NO ORAL OR WRITTEN INFORMATION OR ADVICE GIVEN BY SONY OR AN AUTHORIZED REPRESENTATIVE OF SONY SHALL CREATE A WARRANTY, DUTY OR CONDITION OR IN ANY WAY INCREASE THE SCOPE OF THIS WARRANTY. SHOULD THE SOFTWARE PROVE DEFECTIVE YOU ASSUME THE ENTIRE COST OF ALL NECESSARY SERVICING, REPAIR OR CORRECTION. SOME JURISDICTIONS DO NOT ALLOW THE EXCLUSION OF IMPLIED WARRANTIES, SO THESE EXCLUSIONS MAY NOT APPLY TO YOU.

## LIMITATION OF LIABILITY

SONY AND EACH OF THE THIRD-PARTY SUPPLIERS (for purposes of this Section, SONY and each of the THIRD-PARTY SUPPLIERS shall be collectively referred to as “SONY”) SHALL NOT BE LIABLE FOR ANY INCIDENTAL OR CONSEQUENTIAL DAMAGES FOR BREACH OF ANY EXPRESS OR IMPLIED WARRANTY, BREACH OF CONTRACT, NEGLIGENCE, STRICT LIABILITY OR UNDER ANY OTHER

LEGAL THEORY RELATED TO THE SOFTWARE, INCLUDING, BUT NOT LIMITED TO, ANY DAMAGES ARISING OUT OF LOSS OF PROFITS, LOSS OF REVENUE, LOSS OF DATA, LOSS OF USE OF THE SOFTWARE OR ANY ASSOCIATED HARDWARE, DOWNTIME AND USER'S TIME, EVEN IF ANY OF THEM HAVE BEEN ADVISED OF THE POSSIBILITY OF SUCH DAMAGES. IN ANY CASE, EACH AND ALL OF THEIR AGGREGATE LIABILITY UNDER ANY PROVISION OF THIS EULA SHALL BE LIMITED TO THE AMOUNT ACTUALLY PAID FOR THE PRODUCT. SOME JURISDICTIONS DO NOT ALLOW THE EXCLUSION OR LIMITATION OF INCIDENTAL OR CONSEQUENTIAL DAMAGES, SO THE ABOVE EXCLUSION OR LIMITATION MAY NOT APPLY TO YOU.

#### **CONSENT TO USE OF NON-PERSONAL INFORMATION, LOCATION DATA, DATA SECURITY**

You acknowledge and agree that SONY and its affiliates, partners and agents may read, collect, transfer, process and store certain information collected from the SOFTWARE, including but not limited to information about (i) the SOFTWARE and (ii) the software applications, contents and peripheral devices that interact with your DEVICE and the SOFTWARE ("Information"). Information includes, but is not limited to: (1) unique identifiers relating to your DEVICE and its components; (2) performance of the DEVICE, the SOFTWARE and their components; (3) configurations of your DEVICE, the SOFTWARE and the software applications, contents and peripheral devices that interact with the DEVICE and the SOFTWARE; (4) use and frequency of use of the functions of (x) the SOFTWARE, and (y) the software applications, contents and peripheral devices that interact with the SOFTWARE; and (5) location data, as indicated below. SONY and its affiliates, partners and agents may use and disclose Information subject to applicable laws in order to improve its products and services or to provide products or services to you. Such uses include, but are

not limited to: (a) administering the functionalities of the SOFTWARE; (b) to improve, service, update or upgrade the SOFTWARE; (c) improving, developing and enhancing the current and future products and services of SONY and other parties; (d) to provide you with information about the products and services offered by SONY and other parties; (e) complying with applicable laws or regulations; and (f) to the extent offered, providing you with location-based services of SONY and other parties, as indicated below. In addition, SONY retains the right to use Information to protect itself and third parties from illegal, criminal or harmful conduct.

Certain services available through the SOFTWARE may rely upon location information, including, but not limited to, the geographic location of the DEVICE. You acknowledge that for the purpose of providing such services, SONY, the THIRD-PARTY SUPPLIERS or their partners may collect, archive, process and use such location data, and that such services are governed by the privacy policies of SONY or such third party. By using any such services, you agree that you have reviewed the privacy policies applicable to such services and consent to such activities.

SONY, its affiliates, partners and agents will not intentionally use Information to personally identify the owner or user of the SOFTWARE without your knowledge or consent. Any use of Information will be in accordance with the privacy policies of SONY or such third party. Please contact applicable contact address of each area or country for SONY's current privacy policy.

Please contact applicable third parties for privacy policies relating to personally identifiable and other information you provide when you use or access third party software or services.

Information may be processed, stored or transferred to SONY, its affiliates or agents which are located in countries outside of your country of residence. Data protection and information privacy laws in certain

countries may not offer the same level of protection as your country of residence and you may have fewer legal rights in relation to Information processed and stored in, or transferred to, such countries. SONY will use reasonable efforts to take appropriate technical and organizational steps to prevent unauthorized access to or disclosure of Information, but does not warrant it will eliminate all risk of misuse of such Information.

### **AUTOMATIC UPDATE FEATURE**

From time to time, SONY or the THIRD-PARTY SUPPLIERS may automatically update or otherwise modify the SOFTWARE, including, but not limited to, for purposes of enhancement of security functions, error correction and improvement of functions, at such time as you interact with SONY's or third parties' servers, or otherwise. Such updates or modifications may delete or change the nature of features or other aspects of the SOFTWARE, including, but not limited to, functions you may rely upon. You acknowledge and agree that such activities may occur at SONY's sole discretion and that SONY may condition continued use of the SOFTWARE upon your complete installation or acceptance of such update or modifications. Any updates/modifications shall be deemed to be, and shall constitute part of, the SOFTWARE for purposes of this EULA. By acceptance of this EULA, you consent to such update/modification.

### **ENTIRE AGREEMENT, WAIVER, SEVERABILITY**

This EULA and SONY's privacy policy, each as amended and modified from time to time, together constitute the entire agreement between you and SONY with respect to the SOFTWARE. The failure of SONY to exercise or enforce any right or provision of this EULA shall not constitute a waiver of such right or provision. If any part of this EULA is held invalid, illegal, or unenforceable, that provision shall be enforced to the maximum extent permissible so as to maintain the intent of this EULA, and the other parts will remain in full force and effect.

### **GOVERNING LAW AND JURISDICTION**

The United Nations Convention on Contracts for the International Sale of Goods shall not apply to this EULA. This EULA shall be governed by the laws of Japan, without regards to conflict of laws provisions. Any dispute arising out of this EULA shall be subject to the exclusive venue of the Tokyo District Court in Japan, and the parties hereby consent to the venue and jurisdiction of such courts.

### **EQUITABLE REMEDIES**

Notwithstanding anything contained in this EULA to the contrary, you acknowledge and agree that any violation of or non-compliance with this EULA by you will cause irreparable harm to SONY, for which monetary damages would be inadequate, and you consent to SONY obtaining any injunctive or equitable relief that SONY deems necessary or appropriate in such circumstances. SONY may also take any legal and technical remedies to prevent violation of and/or to enforce this EULA, including, but not limited to, immediate termination of your use of the SOFTWARE, if SONY believes in its sole discretion that you are violating or intend to violate this EULA. These remedies are in addition to any other remedies SONY may have at law, in equity or under contract.

### **TERMINATION**

Without prejudice to any of its other rights, SONY may terminate this EULA if you fail to comply with any of its terms. In case of such termination, you must: (i) cease all use, and destroy any copies, of the SOFTWARE; (ii) comply with the requirements in the section below entitled "Your Account Responsibilities".

### **AMENDMENT**

SONY RESERVES THE RIGHT TO AMEND ANY OF THE TERMS OF THIS EULA AT ITS SOLE DISCRETION BY POSTING NOTICE ON A SONY DESIGNATED WEB SITE, BY EMAIL NOTIFICATION TO AN EMAIL ADDRESS PROVIDED BY YOU, BY PROVIDING NOTICE AS PART OF THE

Others

PROCESS IN WHICH YOU OBTAIN UPGRADES/UPDATES OR BY ANY OTHER LEGALLY RECOGNIZABLE FORM OF NOTICE. If you do not agree to the amendment, you should promptly contact SONY for instructions. Your continued use of the SOFTWARE after the effective date of any such notice shall be deemed your agreement to be bound by such amendment.

### **THIRD-PARTY BENEFICIARIES**

Each THIRD-PARTY SUPPLIER is an express intended third-party beneficiary of, and shall have the right to enforce, each provision of this EULA with respect to the SOFTWARE of such party.

### **YOUR ACCOUNT RESPONSIBILITIES**

Should you return your DEVICE to its place of purchase, sell or otherwise transfer your DEVICE, or if this EULA is terminated, you are responsible for and must uninstall the SOFTWARE from the DEVICE and delete any and all accounts you may have established on DEVICE or are accessible through the SOFTWARE. You are solely responsible for maintaining the confidentiality of any accounts you have with SONY OR third parties and any usernames and passwords associated with YOUR USE OF the DEVICE.

Should you have any questions concerning this EULA, you may contact SONY by writing to SONY at applicable contact address of each area or country.

Copyright © 2012 Sony Corporation.

# Index

## A

AC IN .....	5
Acceptable input signal .....	90
Adjust Signal .....	24
Adjusting the tilt of the projector .....	17
Air filter .....	82
APA .....	6
Aspect .....	6, 23, 25

## B

BLANK .....	6
Brightness .....	22

## C

Calibration .....	27, 49, 51
CC Display .....	27
Color .....	22
Color Temp. ....	22
Connecting a computer .....	9
Connecting a Video equipment .....	11
Connecting an external monitor and audio equipment .....	13
Constant Brightness .....	31
Contrast .....	22
Control Key Lock .....	29
Control Panel Keys .....	6
Correcting trapezoidal distortion of the projected image (Keystone feature) .....	6

## D

Digital Zoom .....	6
--------------------	---

## E

ECO MODE (Energy-saving mode) .....	7
-------------------------------------	---

## F

fH .....	34
Focus lever .....	4, 16
Foot .....	4, 17
Freeze .....	6
fV .....	34

## G

Gamma Mode .....	22
------------------	----

## H

H (Horizontal) .....	24
High Altitude Mode .....	33
Hue .....	22

## I

Image Flip .....	33
Indicators .....	73
Information menu .....	34
Input .....	5
Installation menu .....	33
Interactive Pen Device .....	8

## K

Keystone .....	6, 18
----------------	-------

## L

Lamp cover .....	4
Lamp Timer .....	34
Lamp Timer Reset .....	27
LAN terminal .....	5
Language .....	29
Link to Image Flip .....	33
Location and function of controls .....	4

## M

Main unit .....	4
Messages list .....	75
Model Name .....	34
Mouse mode .....	58
MUTING .....	6

## N

Network Features .....	36
------------------------	----

## O

Operation menu .....	29
Optional accessories .....	86
Output .....	5

## P

PC Free Interactive .....	52
Phase, Pitch, Shift .....	24
Picture menu .....	22
Picture mode .....	22
Pin assignment .....	88
Projecting an image .....	14
Projection distance .....	91

Projector Station for Network Presentation .....	59
-----------------------------------------------------	----

<b>Z</b>	
Zoom lever .....	4, 16

**R**

Remote commander .....	6
Remote control receiver .....	4
Replacing the lamp .....	80
Reset .....	22
RS-232C .....	5

**S**

Security bar .....	4
Security Lock .....	4, 29
Selecting an input signal .....	6
Serial No. ....	34
Sharpness .....	22
Signal Type .....	34
Smart APA .....	27
Speaker .....	27
Specifications .....	84
Start Up Image .....	27
Status .....	29

**T**

Terminals .....	4, 5
The Connection/Power Menu .....	30
The Function menu .....	27
The Screen menu .....	23
Troubleshooting .....	76
Turn off .....	6, 20
Turn on .....	6, 14

**U**

USB Display .....	67
USB Media Viewer .....	69
Using a menu .....	21
Using the e-mail report Function .....	38

**V**

V Keystone .....	6
Ventilation holes .....	4
Volume .....	6

**W**

WARNING indicator .....	4, 73
With No Input .....	31
With Static Signal .....	31



---

## About Trademarks

- Adobe and Adobe Acrobat are trademarks or registered trademarks of Adobe Systems Incorporated in the United States and/or other countries.
- Kensington is a registered trademark of Kensington Technology Group.
- The terms HDMI and HDMI High-Definition Multimedia Interface, and the HDMI Logo are trademarks or registered trademarks of HDMI Licensing LLC in the United States and other countries.
- Internet Explore is registered trademarks of Microsoft Corporation in the United States and/or other countries.
- PJLink is a registered trademark of Japan Business Machine and Information System Industries Association.
- AMX is a trademark of AMX Corporation.
- Crestron RoomView is a trademark of Crestron Corporation.
- Mac and Mac OS are registered trademarks of Apple Inc. in the U.S. and other countries.
- All other trademarks and registered trademarks are trademarks or registered trademarks of their respective holders. In this manual, <sup>™</sup> and <sup>®</sup> marks are not specified.

