

**HITACHI**  
Inspire the Next

**XGA**  
HITACHI CP-X995  
PROGRESSIVE



**Giving you the freedom and capabilities to do more.  
The portable projector with bright, high-quality images.**

PREMIUM PORTABLE LCD PROJECTOR

**CP-X995**

PROGRESSIVE

# CP-X995

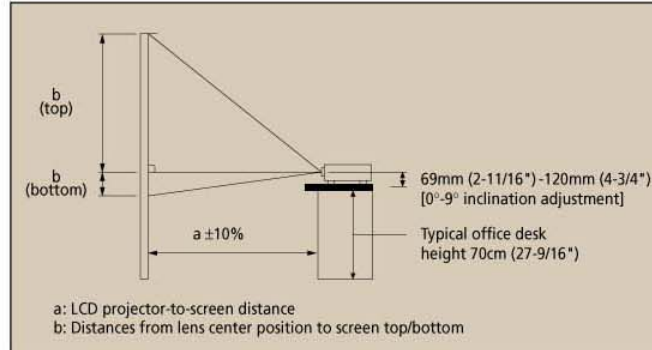
Specifications		
Model name	CP-X995	
Liquid crystal panel structure	1.3* polysilicon active-matrix TFT x 3	
Number of pixels	786,432 pixels (V768 X H1,024)	
Resolution	1,024 x 768 color pixels	
Frequency	f <sub>H</sub> [kHz]	15-91
	f <sub>V</sub> [Hz]	50-120
Lens	Power zoom (F=1.7-2.3) 1: 1.3 Power focus	
Lamp	275W UHB	
Brightness	4,500 ANSI Lumens	
Contrast ratio	300 : 1	
Speakers	1.2W + 1.2W (stereo)	
Power supply	AC100-120V/AC200-240V	
Power consumption	440W	
Operating temperature	0-35°C (32-95°F)	
Input signals	RGB input	VGA, SVGA, XGA, SXGA, UXGA, MAC13*, MAC16*
	Video input	NTSC, NTSC4.43, PAL, SECAM, M-PAL, N-PAL, HDTV: 750p (720p), 1125i (1080i/1035i) SDTV: 525i (480i), 525p (480p), 625i (575i)
Input/output terminals	Video input	S-Video: Mini DIN 4-pin terminal x 1 Composite video: RCA jack terminal x 1 Component video: RCA jack terminal x 3 Audio: RCA jack terminal x 2 (L/R)
	RGB input	Analog RGB: D-sub 15-pin shrink terminal x 2 Digital RGB terminal x 1 Audio: Stereo mini jack x 2
	Output	Analog RGB: D-sub 15-pin shrink terminal x 1 Audio: Stereo mini jack x 1
	Control terminal	D-sub 15-pin shrink terminal x 1
Regulatory (Agency, Safety, EMI/RFI)	UL/cUL UL60950, CSA60950, FCC-Part 15, class B, CE approval, EN61000-3-2, EN61000-3-3, EN55022, EN55024, TUV EN60950, Low voltage directive	
Dimensions (WxHxD)	289 x 139 x 345mm (11-3/8" x 5-1/2" x 13-9/16")	
Weight	6.5kg (14 lbs. 5 oz.)	
Standard accessories	Remote controller, Video/audio cable, Power cord, Component cable, PS/2 mouse cable, Batteries LR6, RGB cable	

\*Design and specifications are subject to change without notice.  
\*The comparison photos in this catalog are simulations.

Hitachi, Ltd. Digital Media Division  
(Yokohama Plant) has received  
ISO 14001 certification.

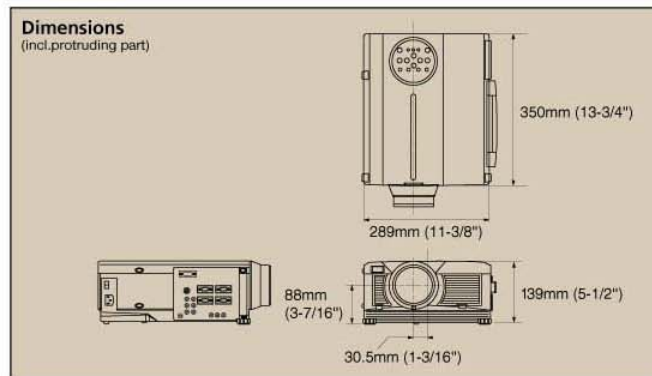


051



Screen Size (inch)	a Min	a Max	b (bottom)	b (top)
30	1.1m (43")	1.4m (55")	2cm (1")	44cm (17")
40	1.4m (55")	1.9m (75")	3cm (1")	58cm (23")
60	2.2m (87")	2.9m (114")	4cm (2")	87cm (34")
70	2.5m (98")	3.4m (134")	5cm (2")	102cm (40")
80	2.9m (114")	3.8m (150")	6cm (2")	116cm (46")
100	3.7m (146")	4.9m (193")	7cm (3")	145cm (57")
120	4.5m (177")	5.9m (232")	9cm (4")	174cm (69")
150	5.6m (220")	7.2m (283")	11cm (4")	218cm (86")
200	7.4m (291")	9.8m (386")	15cm (6")	290cm (114")
300	11.2m (441")	14.9m (587")	22cm (9")	435cm (171")

Screen Size (inch)	Optional Lens	Wide Conversion Lens (WL-201)	
	Wide	Tele	
30	0.9m (35.4")	1.1m (43.3")	
40	1.1m (43.3")	1.6m (63.0")	
60	1.8m (70.9")	2.4m (94.5")	
70	2.0m (78.7")	2.8m (110.2")	
80	2.4m (94.5")	3.1m (122.0")	
100	3.0m (118.1")	4.0m (157.5")	
120	3.7m (145.7")	4.8m (189.0")	
150	4.6m (181.1")	5.9m (232.3")	
200	6.1m (240.2")	8.0m (315.0")	
250	7.6m (299.2")	10.2m (401.6")	
300	9.2m (362.2")	12.2m (480.3")	



# HITACHI

## Hitachi Europe Ltd.

Dukes Meadow, Millboard Road, Bourne End, Buckinghamshire, SL8 5XF, UK  
Tel: +44-1628-643326 Fax: +44-1628-643404 [www.hitachi-eu.img.com](http://www.hitachi-eu.img.com)

## Hitachi America, Ltd. Computer Division

Hitachi Plaza 2000 Sierra Point Parkway, Brisbane, CA 94005-1835, U.S.A.  
Tel: +1-800-HITACHI Fax: +1-650-244-7776 [www.hitachi.com](http://www.hitachi.com)

## Hitachi Canada Ltd.

6740 Campobello Road, Mississauga, Ontario L5N2L8, Canada  
Tel: +1-905-821-4545 Fax: +1-905-821-1011 [www.hitachi.ca](http://www.hitachi.ca)

## Hitachi Home Electronics Asia (S) Pte. Ltd.

16 Collyer Quay #31-00 Hitachi Tower, Singapore 049318  
Tel: +65-6536-2520 Fax: +65-6536-2521 [www.hitachiconsumer.com.sg](http://www.hitachiconsumer.com.sg)

## Hitachi Sales (Malaysia) Sdn. Bhd.

Wisma Hitachi, No.2, Lorong 13/6A, 46200 Petaling Jaya,  
Selangor Darul Ehsan, Malaysia

Tel: +60-3-79573455 Fax: +60-3-79556090

## Hitachi Sales (Thailand), Ltd.

994, 996 Sol Thonglor, Sukhumvit 55 Road, Klongton, Klongtoey,  
Bangkok 10110, Thailand

Tel: +66-2-381-8381 Fax: +66-2-381-9520

## Hitachi (Hong Kong), Ltd.

18th Floor, Ever Gain Centre, 28 On Muk Street, Shatin, N.T., Hong Kong  
Tel: +852-2113-8883 Fax: +852-2780-4178 [www.hitachi-multimedia.com.hk](http://www.hitachi-multimedia.com.hk)

## Hitachi Sales Corp. of Taiwan

2nd Floor, No.65, Nanking East Road, Section 3, Taipei, Taiwan  
Tel: +886-2-2516-0500 Fax: +886-2-2516-1501

## Hitachi Australia Ltd.

Level 3, 82 Waterloo Road, North Ryde, NSW 2113, Australia  
Tel: +61-2-9888-4100 Fax: +61-2-9888-4188 [www.hitachi.com.au](http://www.hitachi.com.au)