

HITACHI

Inspire the Next

CP-SX5600W



- 1,800 ANSI Lumens
- LCOS (Liquid Crystal on Silicon) technology
- Native SXGA resolution
- Vertical & horizontal keystone correction
- 12 lbs.
- Picture in Picture
- Digital zoom (x 4)
- Freeze function
- Cinema mode (3/2 pull-down system)
- Black enhancement system
- Noise reduction system (for image)
- Motion adaptive progressive scan technology
- 32 dB (Whisper Mode)
- Component/composite/S-video/DVI inputs
- FCC class B
- Color temperature and gamma correction
- 16:9 mode
- HDTV theater ready
- Reverse image function for ceiling mount

SPECIFICATIONS

Model name	CP-SX5600W		
Liquid crystal panel structure	0.9" LCOS (Liquid Crystal on Silicon) panel x 3		
Number of pixels	1,397,760 pixels (H1,365 x V1,024)		
Native/RGB resolution	1,365 x 1,024/1,280 x 1,024 color pixels		
Colors	16.7 million colors		
Aspect ratio	Native 4:3 (16:9 resizing mode)		
Lens	Manual zoom 1:1.3 Manual focus		
Throw ration (distance:width)	2.07 ~ 2.66:1 (distance:width)		
Display size	30 ~ 300 inches		
Lamp	220W UHB		
Expected lamp life	1,500 hours (approx)		
Brightness	1,800 ANSI Lumens (approx. 1,440 lumens in whisper mode)		
Contrast ratio	600:1		
Speakers	1.0W x 1		
Power supply	AC100 ~ 120V/220 ~ 240V		
Power consumption	360W		
Operating temperature	32° ~ 95°F (0° ~ 35°C)		
Input signals	RGB	VGA, SVGA, XGA, SXGA, UXGA (compressed), MAC13", MAC16"	
	Composite video	NTSC, NTSC4.43, SECAM, PAL-M, PAL-N	
	Component video	480i, 575i, 480p, 1,080i, 720p,	
Acoustic noise level	39dB (32dB in whisper mode)		
H Sync	15kHz ~ 91kHz		
V Sync	50Hz ~ 120Hz		
Vertical keystone correction	Digital keystone +/- 15°		
Horizontal keystone correction	Digital keystone +/- 6°		
Input/Output terminals	RGB input	Digital RGB	DVI-D connector x 1
		Analog RGB	15 pin D-sub connector x 2
		Audio	Stereo mini jack x 2
	RGB output	RGB	15-pin D-sub connector x 1
		Audio	Stereo mini jack x 1
Video input	S-video	Mini DIN 4-pin connector x 1	
	Composite video	RCA jack x 1	
	Component video	RCA jack x 3	
Audio	RCA jack x 2		
Control terminals	15 pin D-sub connector x 1		
Compatible controls	USB connector (USB mouse) x 1 PS/2, ADB serial, RS-232C (serial)		
Chassis	Dimensions (W x H x D)	9.8" x 4.1" x 13.2" (250 x 105 x 335mm)	
	Weight	12.4 lbs.	
	Approvals	UL, C-UL, FCC class-B	
	Supplied accessories	Wireless remote controller with laser pointer and mouse, Power cord, RGB cable, RCA Video/Audio cable, RCA component cable, batteries (AA), PS/2 mouse cable, operator/safety manual	
Replacement Parts	Lamp model name	CPSX5500 LAMP (Part #: DT00421)	
	Wireless remote	Wireless remote (Part #: HL01841)	

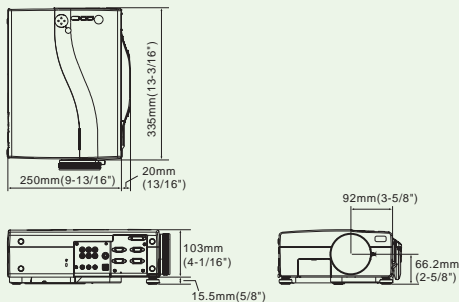


Screen Size 4.3		Throw distance	
Diagonal*	Width*	Min*	Max*
40	32	65	85
60	48	98	127
80	64	131	170
100	80	164	213
120	96	196	255
150	120	246	319
200	160	328	426

Throw ratio: 2.07 ~ 2.66:1 (distance:width)

*: Measured in inches

CP-SX5600 Dimensions (incl.protruding part)



This projector is manufactured in accordance with high quality standards. Please note, however, that the specifications of this projector may not meet, and are not warranted to satisfy, all requirements of professional or high-end home theater applications. The RGB and DVI input terminals of this projector are intended for computer data transfer and are not designed for video signal transfer, including but not limited to the transfer of DVD signals from a computer, DVD player or any other device. For best results in video applications, component inputs are recommended. This projector does not remap 1280 x 1024 signals or any other signals to 1365 x 1024 resolution. SXGA data will be reproduced as standard SXGA signals. Please note that in projectors of this type, tiny dark pixels or bright pixels may continuously appear on the image. This pixel phenomenon is normal, does not indicate a malfunction and is not a warranted defect. Please note that in projectors of this type, black or very dark signals may be reproduced with some non-black hues. This color reproduction phenomenon is normal, does not indicate a malfunction and is not a warranted defect.