

MW864UST Digital Projector

MW864UST Features

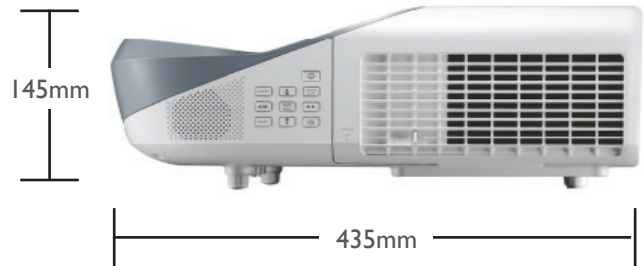
- Inner Reflection Design
- Dual HDMI Port (MHL Supported)
- Optional PointWrite Interactive Capability
- Corner Fit Image Correction.
- Wall Mount Included



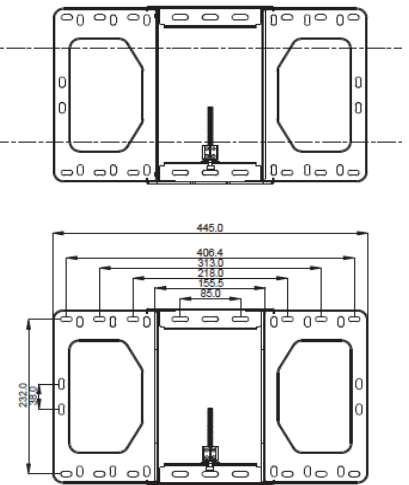
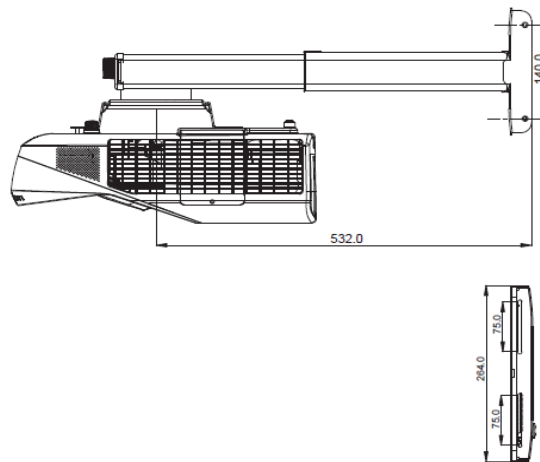
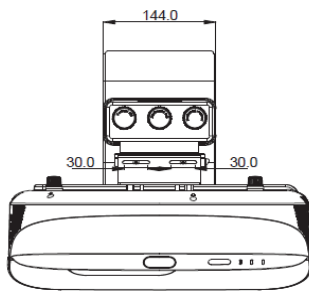
PW2IU
optional interactive
module



PT12
optional touch module



Wall Mount chart



BenQ America Corp. • BenQ.us

BenQ is a registered trademark of BenQ Corp. All rights reserved. Product names, logos, brands and other trademarks featured or referred to in this material are the property of their respective trademark holders. Specifications subject to change without notice. 08/04/17



Because it matters

SPECIFICATIONS		MW864UST		
Projection System	DLP®			
Native Resolution	WXGA(1280x800)			
Brightness	3300AL			
Contrast Ratio	13,000:1			
Display Color	1.07 Billion Colors			
Lens	F=2.4, f=3.35mm			
Aspect Ratio	Native 16:10 (5 aspect ratio selectable)			
Throw Ratio	0.23			
Image Size	87"-120"			
Zoom Ratio	Fix			
Lamp Type	240W			
Lamp(Normal/Economic/SmartEco Mode)*	3000/4000/6000 hours			
Keystone Adjustment	2D, Vertical ± 30 degrees, Horizontal ± 25 degree			
Other Image Adjustment	Corner fit			
Projection Offset**	115% (Full-Height)			
Resolution Support	VGA(640 x 480) to WUXGA_RB(1920 x 1200) *RB-Reduced Blanking			
Horizontal Frequency	15~102KHz			
Vertical Scan Rate	23~120Hz			
Compatibility	HDTV Compatibility	480i, 480p, 576i, 576p, 720p, 1080i, 1080p		
	Video Compatibility	NTSC, PAL, SECAM		
Interface	PC in (D-sub 15pin)	x 2 (Shared with component)		
	Monitor out (D-sub 15pin)	x 1		
	Composite Video in (RCA)	x 1		
	S-Video in (Mini DIN 4pin)	x 1		
	HDMI/MHL	x 2 (HDMI 2 with MHL)		
	Audio in (Mini Jack)	x 2		
	Audio out (Mini Jack)	x 1		
	Audio L/R	x 1		
	Speaker	10W x 2		
	USB (Type mini B)	x 2		
		USB min B-1(Rear):	PointWrite Camera	
		USB min B-2(Rear):	FW download	
	USB(Type A)	x 1 (5V/1.5A power supply)		
	RJ45	x 1 (LAN Control)		
	RS232 (DB-9pin)	x 1		
	IR Receiver	x 1 (Front)		
Physical	Dimensions (W x H x D)	382*145*435 mm		
	Weight	6.2KG (w/o wall mount)		
Power	Power Supply	AC100 to 240 V, 50 to 60 Hz		
	Power Consumption	Max 410W, Network standby <2W. Standby <0.5W		
Audible Noise (Normal/Economic)	35/29 dBA (Normal/Economic mode)			
On-Screen Display Languages	Arabic/Bulgarian/ Croatian/ Czech/ Danish/ Dutch/ English/ Finnish/ French/ German/ Greek/ Hindi/ Hungarian/ Italian/ Indonesian/ Japanese/ Korean/ Norwegian/ Polish/ Portuguese/ Romanian/ Russian/ Simplified Chinese/Spanish/ Swedish/ Turkish/ Thai/ Traditional Chinese (28 Languages)			
Accessories	Standard		Optional	
	Remote Control w/ Battery	RCS011	Spare Lamp Kit	
	Power Cord (by region)	x 1 (3M)	Wall Mount	WM03G5
	User Manual CD	NA (Download)	3D Glasses	DGD5
	Quick Start Guide	x 1	Document Camera	S30
	Warranty Card (by region)	x 1	PointWrite kit	PW21U
	VGA(D-sub 15pin) Cable	x 1	PointWrite Touch module	PT12
	Wall mount kit (installation guide)	x 1		

** Lamp life results will vary depending on environmental conditions and usage.

Actual product's features and specifications are subject to change without notice.

** offset is calculated by full screen heigh.

*** The measurement of offset and installation chart have max to 5% tolerance and may vary from the Actual size."