

# DIGITAL PROJECTOR | MW883UST



## Features

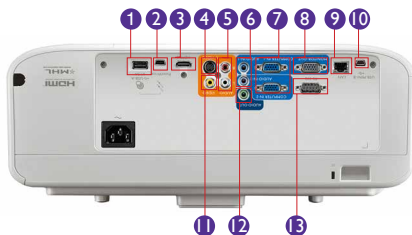
- Native WXGA (1280x800) resolution
- 3,300 ANSI lumens
- 10,000:1 high contrast ratio
- HDMI x 2, MHL
- Optional PointWrite interactive capability
- Wall mount bundle



## Specifications

Projection System	DLP®
Native Resolution	WXGA(1280 x 800)
Brightness	3,300AL
Contrast Ratio	10,000:1
Display Color	1.07 Billion Colors
Lens	F2.5,f=5.1mm
Aspect Ratio	Native 16:10 (5 aspect ratio selectable)
Throw Ratio	0.24
Image Size	86"-140"
Zoom Ratio	Fixed
Lamp Type	240W
Lamp (Normal/Economic Mode)*	2500/4000/6000 hours
Keystone Adjustment	2D,Vertical +/- 30 degrees, Horizontal +/-25 degree
Projection Offset	115%(±5%)
Resolution Support	VGA(640 x 480) to UXGA(1600 x 1200)
Horizontal Frequency	15~102KHz
Vertical Scan Rate	23~120Hz
Compatibility	HDTV Compatibility: 480i, 480p, 576i, 576p, 720p, 1080i,1080p Video Compatibility: NTSC, PAL, SECAM
Interface	Computer in (D-sub 15pin) x 2(Shared with component) Monitor out (D-sub 15pin) x 1 Composite Video in (RCA) x 1 S-Video in (Mini DIN 4pin) x 1 HDMI/MHL x 2(HDMI 2 with MHL) Audio in (Mini Jack) x 1 Audio out (Mini Jack) x 1 Audio L/R x 1 Speaker 20W USB (Type mini B) x 2(FW download/PointWrite) USB(Type A) x 2(FW download/PointWrite) RJ45 x 1 (LAN Control /LAN Display/FW download) RS232 (DB-9pin) x 1 IR Receiver x 1 (front)
Dimensions (WxHxD)	385 x 152 x 429 mm (15.15" x 5.98" x 16.88")
Weight	8.0 KG (17.63 lbs)
Power Supply	AC100 to 240 V, 50 to 60 Hz
Power Consumption	Typical 490W, Network standby <6W, Stanby power <0.5W
Audible Noise	37/33 dBA (Normal/Economic mode)
Languages	(28 Languages)
Picture Mode	Bright/Presentation/sRGB/Cinema/(3D)/User 1/User 2
Accessories (Standard)	Remote Control w/ Battery, Power Cord, User Manual CD, Quick Start Guide, Warranty Card, VGA(D-sub 15pin) Cable, Wall Mount Kit
Accessories (Optional)	Spare Lamp Kit P/N: 5J.JDM05.001 3D Glasses P/N: 5J.J9H25.001 PointWrite Kit (PW02U) P/N: TBD PointWrite Pen Only P/N: 5J.J9A26.001 Touch Module PT02 P/N: 5J.J8L26.11E
UPC / Part #	8400460-3252-4 / 9H.JDN77.14A
Limited Warranty	3 Years Parts/Labor; 1 Year or 2,000 hours of lamp life

## Input and Output Terminals



- |                                 |                             |
|---------------------------------|-----------------------------|
| 1 USB (Type A)                  | 8 Monitor out (D-sub 15pin) |
| 2 PointWrite                    | 9 LAN (RJ45)                |
| 3 USB (Type A)                  | 10 USB (Type Mini B)        |
| 4 HDMI-1                        | 11 Composite Video in (RCA) |
| 5 S-Video in (Mini DIN 4pin)    | 12 Audio out (Mini Jack)    |
| 6 Audio L/R in (RCA)            | 13 RS232 (DB-9pin)          |
| 7 Computer in 1/2 (D-sub 15pin) |                             |

\*Lamp life results will vary depending on environmental conditions and usage. Actual product's features and specifications are subject to change without notice.

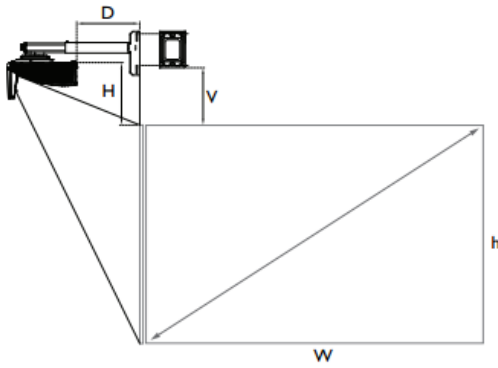


# ProSelecta

View :: Compare :: Select - [www.ProSelecta.com](http://www.ProSelecta.com)

# MW883UST Digital Projector

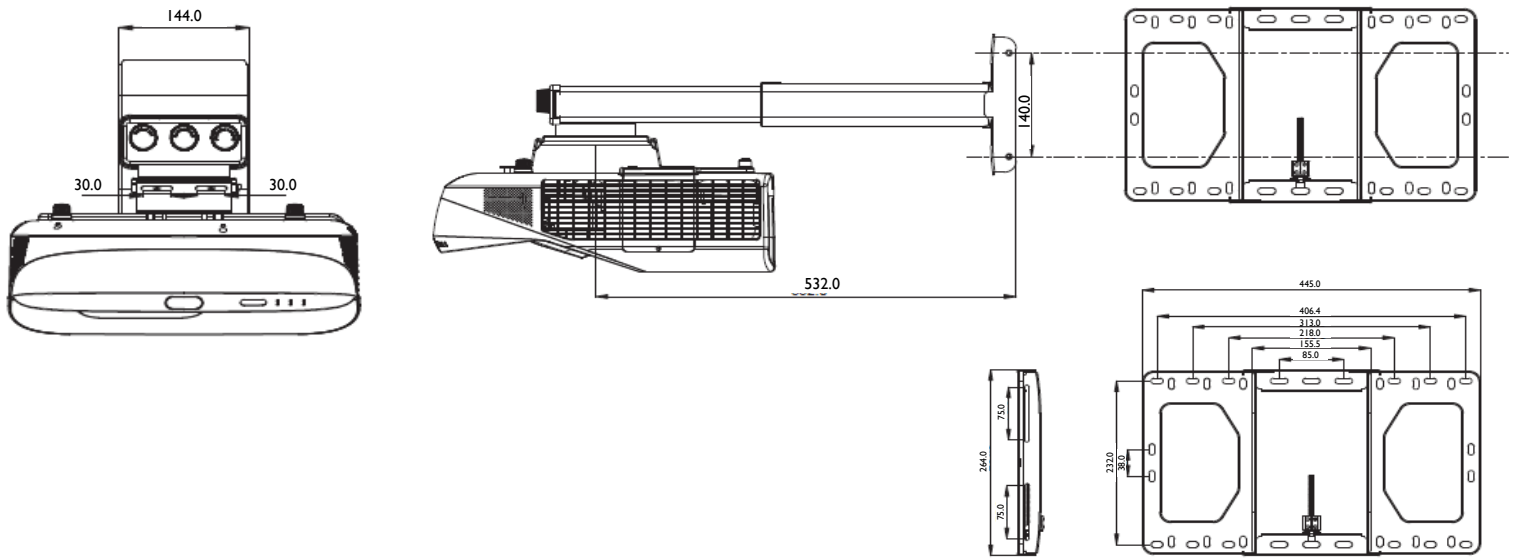
## Distance Chart



Diagonal <M>		Screen Size		Min Ceiling height H <sup>a</sup> (mm)	Vertical offset V (mm)	Installation distance (D)	
		Height <h> (mm)	Width <W> (mm)			X <sup>b</sup> = 0 mm (D=a) (mm)	X <sup>c</sup> = 30 mm (D=a+30 mm) (mm)
86.5	2197	1164	1863	2430	216	88	118
87	2210	1171	1874	2438	217	91	121
90	2286	1212	1939	2485	223	106	136
95	2413	1279	2046	2562	233	131	161
100	2540	1346	2154	2639	243	156	186
105	2667	1414	2262	2717	253	181	211
110	2794	1481	2369	2794	263	206	236
115	2921	1548	2477	2872	273	231	261
120	3048	1615	2585	2949	284	256	286
125	3175	1683	2692	3026	294	281	311
130	3302	1750	2800	3104	304	306	336

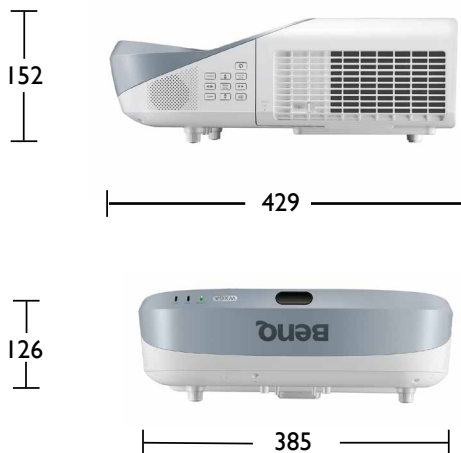
## Ceiling Mount Chart

Units: mm



## Ceiling Mount Chart

Units: mm



Because it matters