

LS830



1920 x 1080 Resolution, 4,500 Lumens, 0.25 Throw Ratio

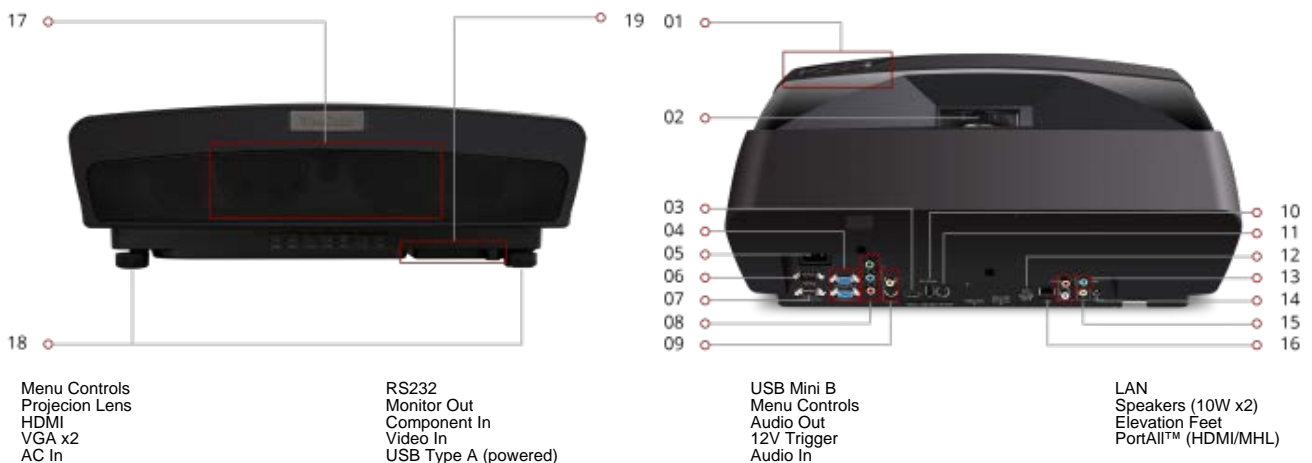
Key Features:



- Long-lasting laser phosphor light source
- Full HD 1080p resolution
- 4,500 lumen brightness
- Large images in small spaces
- Ultra-high contrast ratio
- Secure MHL/HDMI port
- Optional ambient light screen for vibrant daytime viewing
- Enhanced sound
- Industry-leading warranty

Featuring stunning 1080p resolution and 4,500 lumens of brightness, the ViewSonic® LS830 Laser Projector is the ideal solution for modern business and education environments. Designed with a laser phosphor light source lasting up to 20,000 hours, this projector delivers long-term, virtually maintenance-free usage for any boardroom or classroom. With its 0.25 ultra-short throw ratio, HV keystoneing and 4 corner adjustments, the LS830 makes installation a hassle-free experience. What's more, the ultra-short throw ratio allows you to place the projector just inches away from a wall or screen to give you a huge image for less cost than a comparably sized display. The LS830 also features a hidden PortAll® compartment which accommodates additional accessories such as a wireless streaming device, or PC stick. Powered by SuperColor™ technology for true-to-life images, and SonicExpert® technology for incredibly clear sound, the LS830 delivers an immersive audiovisual performance.

Dimensions:



Full Specifications

DISPLAY

Type: TI DMD 0.65
Resolution (Native): 1920x1080 (Full HD)
F Stop / Focal Length mm: 2.54
Focus / Zoom: Adjustable by OSD menu / N/A
Keystone: +/- 30° (Horizontal / Vertical)
Auto keystone: Yes (Vertical)
Display Size: 80" ~ 150"
Throw Distance: 0.43 m ~ 0.8 m
Throw Ratio: 0.23
Lamp Power: 390 W
Lamp Life (Normal / SuperEco Mode): 15,000 / 20,000 hours
Brightness: 4,500 Lumens
Contrast Ratio: 100,000:1
Color Depth: 1.07 Billion Colors (30 bits per color)
Optical Offset: 137.6 +-5%

AUDIO

Speaker: 8W Cube x2

INPUT SIGNAL

Video: 480i and 576i, 480p and 576p, 720p, 1080i, 1080p
Frequency (H/V): 15 ~ 100 KHz / 24 ~ 120 Hz

COMPATABILITY

PC: Support up to 1920x1080@60Hz
Mac: Support up to 1920x1080@60Hz

CONNECTOR

VGA Input: x2
VGA Output: x1
Digital Input: HDMI x1 / HDMI (MHL2.0) x1
Composite Input: RCA x1
S-Video Input: x1
Component: x2 (Share with VGA input)
Audio Input: 3.5mm mini jack x1, RCA(L/R) x1
Audio Output: 3.5mm mini jack x1, RCA(L/R) x1
Control: RS-232
USB: Type A x1 (Power Charging)
Mini type B x1 (Maintenance and mouse control)
Micro USB Wire x1 (Power Charging)
Lan: x1
3D VESA: x1
DC Output: x1

POWER

Voltage: 100~240Vac 50/60Hz (Auto Switching)
Power Consumption: 450 W (Max.)
Standby: <0.5W

OPERATING CONDITION

Temperature: 0°C ~ 40°C (32°F ~ 104°F)
Humidity: 0% ~ 90% (non-condensing)
Altitude: 0 ~ 6,000 ft, operational up to 10,000 ft at reduced reliability and performance

NOISE LEVEL

Normal / Eco Mode: 28dB (Eco Mode)

DIMENSIONS

Physical (WxDxH): 508 x 392 x165 mm
20" x 15.43 " x 6.5"

WEIGHT

Net: 13.6 kgs / 29.96 lbs

REGULATIONS

CB, cTUVus, FCC, CE, EMC, CCC, GS, RCM

PACKAGE CONTENTS

1. Power Cord, 1.8m, black 1 2. VGA Cable, 1.8m, black x 1 3. Remote Control with Batteries (With Laser pointer) x1 4. Quick Start Guide (one sheet version) x1 5. ViewSonic CD Wizard (With User Manual) x 1 6. HDMI Cable